

Operating Instructions

Control CS 320



1. Contents

1.	Contents	2	8.	Programming	28
2.	Information in this document	3	8.1	Overview of the LCD monitor	28
3.	General safety instructions	3	8.2	LCD monitor operating modes.	28
4.	Product overview	4	8.3	Expert menu	29
4.1	Product description	4	8.4	RESET	29
4.2	Variants	4	8.5	RESETTING the controller with LCD monitor	30
4.3	Motherboard CS 320	5	8.6	RESETTING the controller without LCD monitor	30
5.	Installation	6	9.	Navigator (only LCD monitor)	32
5.1	Safety instructions for installation	6	10.	Functional overviews	34
5.2	Mains connection	6	10.1	Automatic mode	34
5.3	Internal fuse protection	7	10.2	Input operating mode	35
5.4	Mains voltage selection	8	10.3	Explanations of the relay modes:	43
5.5	Supply to external devices (only with 400 V / 3-phase connection)	8	10.4	Explanations of the inputs:	46
5.6	Connection of electronic limit position system absolute value encoder (AWG)	9	10.5	Diagnosis operating mode / error memory	50
5.7	Mechanical limit switch (MEC) connection	9	11.	Fault display and remedial measures	53
5.8	Connection of command devices	12	11.1	Fault display on the LCD monitor	53
5.9	Light grid connection	14	11.2	Fault display via LED	55
5.10	Connection of closing edge protective device 1	15	12.	Technical data	57
5.11	Connection light barrier 1	16	12.1	Mechanical and electrical data	57
5.12	Terminal assignment, relay outputs	17	12.2	Category and performance level of the safety function per EN ISO 13849-1	58
5.13	Connection of programmable inputs	17	13.	Service	59
5.14	Safety input per EN 12453	20	14.	Manufacturer's declaration	60
5.15	Radio receiver, pluggable	21	15.	Annex	61
5.16	CS radio	22	15.1	Safety circuit measuring points	61
5.17	Digital 991	22	15.2	Overview of the connections	62
5.18	Connection of external radio receiver	23			
5.19	Connection of frequency converter	23			
5.20	Connection of LCD monitor	24			
5.21	Connection of MS BUS components	24			
5.22	Transmission system radio	25			
6.	Initialisation	25			
7.	Setting the limit positions	26			
7.1	Checking the drive / travel direction	26			
7.2	Setting the mechanical limit switches	26			
7.3	Setting the electronic end position system using the setting buttons on the circuit board	26			
7.4	Setting the electronic limit position system via the LCD monitor	27			
7.5	Setting the intermediate positions of the electronic limit position system via the LCD monitor	27			

2. Information in this document

Original operating instructions

- Copyright.
- No part of these instructions may be reproduced without our prior approval.
- Subject to alterations in the interest of technical progress.
- All dimensions given in mm.
- The diagrams in this manual are not to scale.

Key to symbols

WARNING!

Indicates a hazard with a medium level of risk which, if not avoided, could result in death or serious injury.

CAUTION!

Indicates a hazard with a low level of risk which, if not avoided, could result in minor or moderate injury.

ATTENTION!

Indicates an imminent danger of damage or destruction.

CHECK

Indicates a check to be performed.

REFERENCE

Reference to separate documents which must be complied with.

 Action request


– List, itemisation

→ Reference to other sections of this document

3. General safety instructions

WARNING!

Failure to comply with the documentation could result in life-threatening danger!

 Be sure to follow all the safety instructions in this document.

Warranty

The function and safety of the equipment is only guaranteed if the warning and safety instructions included in these operating instructions are adhered to.

MFZ Antriebe GmbH + Co is not liable for personal injury or damage to property resulting from the warnings and safety advice being disregarded.

MFZ does not accept any liability or warranty for damage due to the use of non-approved spare parts and accessories.

Intended use

The controller CS 320 is designed exclusively for controlling door systems through drives with mechanical limit switches (MEC) or an electronic limit position system (AWG).

Target group

Only qualified and trained electricians may connect, programme and service the control.

Qualified and trained electricians must meet the following requirements:

- Knowledge of the general and specific safety and accident prevention regulations,
- Knowledge of the relevant electrical regulations,
- Training in the use and care of appropriate safety equipment,
- Capable of recognising the dangers associated with electricity.

General safety instructions

Instructions regarding installation and connection

- The control is designed with X type terminals.
- The system must be disconnected from the electricity supply before carrying out any electrical work. It must be ensured that the electricity supply remains disconnected for the duration of the work.
- Local protective regulations must be complied with.
- Consult the manufacturer before carrying out modifications or replacing the mains connection cable.
- In general, an original wiring harness from MFZ GmbH & Co. KG should be used for establishing the connection between the door drive and controller. Changes or replacements shall only take place following consultation with the manufacturer and approval by the same.

Information concerning operation

- Unauthorised persons (particularly children) should not be allowed to play with permanently installed adjusting or control devices.
- Keep remote controls beyond the reach of children.

Observe the valid standards and regulations!

4. Product overview

4.1 Product description

The controller CS 320 is designed for use in industrial areas and can be used with all door types in these areas. It is possible to connect drives with mechanical limit switches (MEC) or an electronic limit position system (AWG). All the necessary command devices and safety elements can be connected, set and evaluated. Programming takes place via a pluggable LCD monitor. Alternatively, a service tool is available as an accessory. The service tool consists of a stick and an app. The following supplier variants of the controller CS 320 are possible:

4.2 Variants

Housing variants:

- Controller CS 320 in the "standard" housing
- Controller CS 320 in the "combination" housing with integrated mounting rail for additional components

Variants of the pluggable LCD monitor:

- LCD monitor on the circuit board
- LCD monitor in the housing cover
- Hard-wired LCD monitor, pluggable (MS BUS)
- Without LCD monitor (monitor is required for all settings apart from the limit position setting)

Command device variants:

- 3-fold button CS integrated in the housing

Optional:

- Housing without 3-fold button
- Housing with ON/OFF key switch
- Housing with main switch
- Housing with emergency stop
- Pluggable components (circuit board)
 - Brake monitoring module
 - Week timer
 - Radio receiver
 - Radio transmission system for closing edge protective device and/or a safety element.

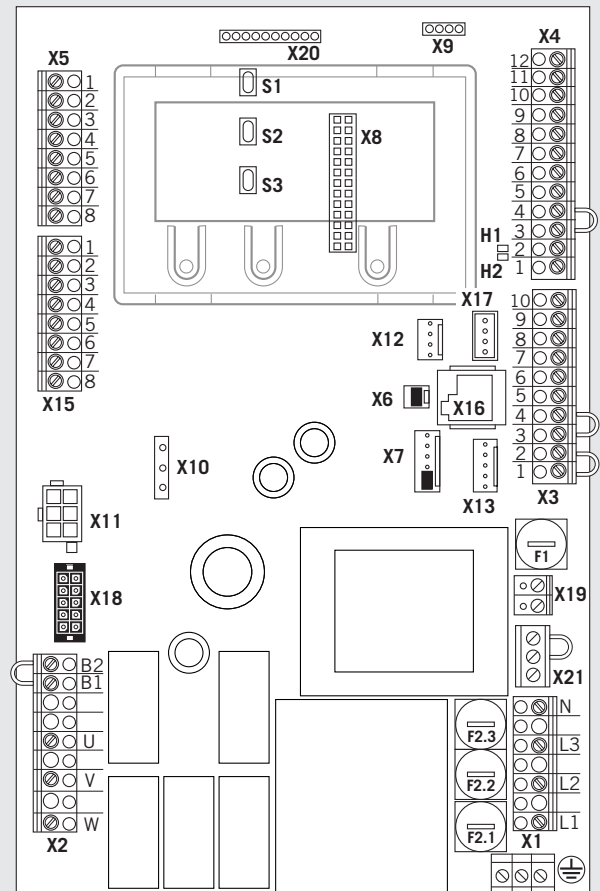
The operating instructions describe the connection and programming options and variants of the CS 320 controller with connected LCD monitor and from software version V1.01a.

4.3 Motherboard CS 320

Explanation:

- X1: Mains connection terminal strip
 - X2: Motor terminal strip
 - X3: Terminal strip for command devices
 - X4: Terminal strip for safety elements
 - X5: Terminal strip for relays
 - X6: Connector strip for internal ON/OFF switch
 - X7: Connector strip for internal 3-fold button KDT
 - X8: Connector strip for LCD monitor
(Beneath the LCD monitor)
 - X9: Connector strip for radio receiver
 - X10: Connector strip for week timer / brake monitoring module
 - X11: Connector strip for electronic limit position system (AWG)
 - X12: Connector strip for external radio receiver
 - X13: Connector strip for internal 3-fold button CS
 - X15: Terminal strip for mechanical limit switches (MEC)
 - X16: Connector strip for BUS system (MS BUS)
 - X17: Plug-in connector RJ for BUS system (MS BUS)
 - X18: Connector strip for frequency converter (interface)
 - X19: Terminal strip for supplying external devices 230V / 50Hz
 - X20: Connector strip for transmission system
 - X21: Mains voltage selection
-
- H1: Ready for operation (green)
Lights up with power supply.
 - H2: Status indicator (red)
Lights up with faults or with actuation of the safety equipment
-
- S1: Programming button (+)
(Beneath the LCD monitor)
 - S2: Programming button (-)
(Beneath the LCD monitor)
 - S3: Programming button (P)
(Beneath the LCD monitor)
-
- F1: Fuse protection for external devices 230V / 50Hz
(max. 1A slow-blow)
 - F2.1: Fuse protection for controller and drive L1 (max. 10 A)
 - F2.2: Fuse protection for controller and drive L2 (max. 10 A)
 - F2.3: Fuse protection for controller and drive L3 (max. 10 A)
 - ⏚ Terminal strip for protective conductor (PE)

4.3 / 1



5. Installation

5.1 Safety instructions for installation

WARNING!

Life-threatening danger due to electric shock!

- Before performing wiring work, always disconnect the system from the power supply. Make sure that the power supply remains disconnected during wiring work.

ATTENTION!

Property damage due to improper installation of the controller!

In order to avoid damage to the controller, observe the following points:

- Only qualified and trained electricians may work on electrical systems.
- Switch off the power supply to the system, check that it is de-energised and safeguard against reconnection.
- Mains cables and control cables must be routed separately.
- The line types and cross-sections must be selected in accordance with the valid specifications.
- It is essential to observe the local protective regulations.
- Observe the specifications of the door manufacturer for installation.

The following points must be correct to guarantee fault-free functioning:

- The door is installed, fully functional and designed for power-driven operation.
- The gear motor is fitted and ready for operation.
- The command and safety devices are fitted and ready for operation.
- The control housing with the CS 320 controller is fitted.

Observe the valid standards and regulations!

REFERENCE

The instructions from the respective manufacturer must be observed for the installation of the door, the gear motor and the command and safety devices.

5.2 Mains connection

Prerequisites

The following points must be correct to guarantee the function of the controller:

- The mains voltage must correspond with the information on the type plate.
- The mains voltage must correspond with the voltage of the drive.
- In the case of three-phase power, this must have a clockwise rotating field.
- With a fixed connection, an all-pole main switch must be used.
- With three-phase power, only triple block circuit breakers of type C (max. 16 A) shall be used.

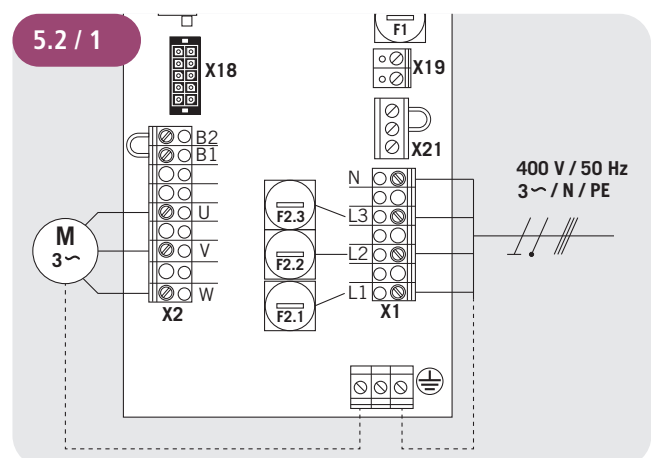
ATTENTION!

Malfunctions due to improper installation of the controller!

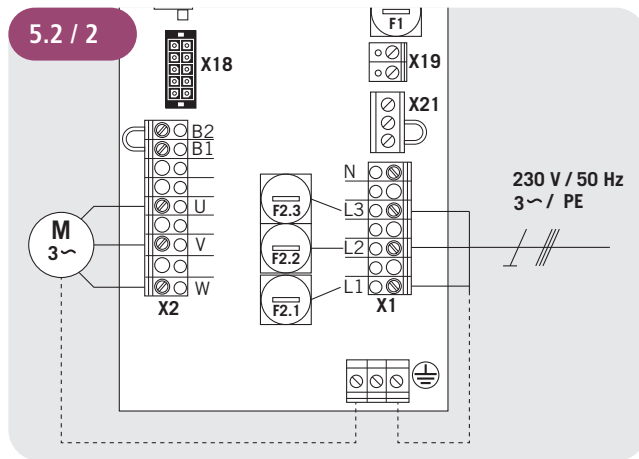
Before switching on the controller for the first time but after all of the wiring has been completed, it is necessary to check all motor connections on the motor and controller sides. All control voltage inputs are galvanically separated from the supply.

The control and load lines of the connected drives must be double-insulated along their entire route.

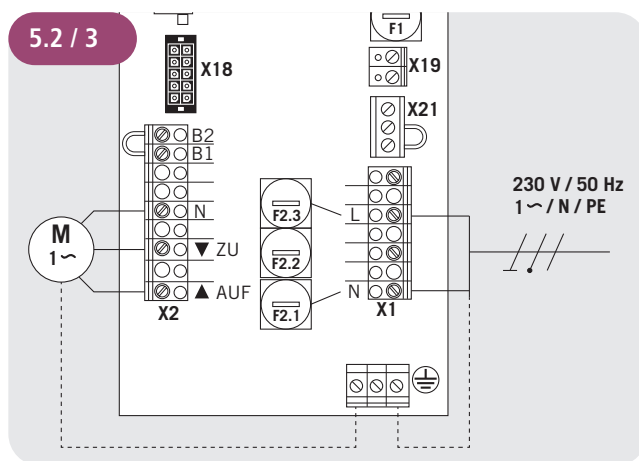
Detailed wiring diagram of mains connection and motor connection (400 V / 3-phase)



Detailed wiring diagram of mains connection and motor connection (230 V / 3-phase)



Detailed wiring diagram of mains connection and motor connection (230 V / 1-phase)



Explanation:

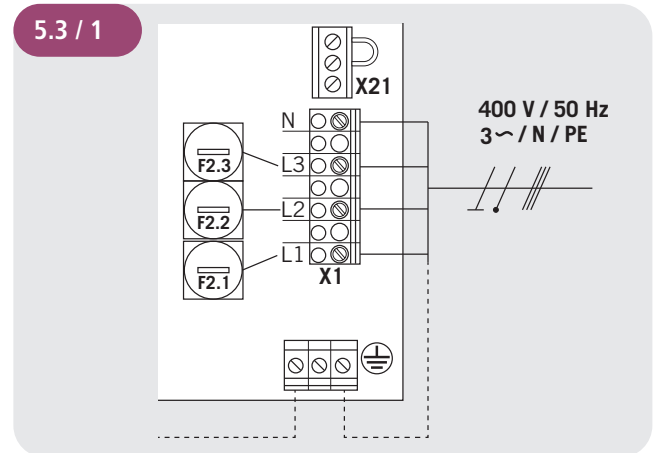
- M1: Motor
- X1: Mains connection terminal strip
- X2: Motor terminal strip
- X11: Connector strip for electronic limit position system (AWG) with safety circuit
- X15: Terminal strip for mechanical limit switches (MEC) (safety circuit to X2 / B1-B2)
- X19: Connection for supplying external devices

Connection:

- Connect electronic limit position system (AWG) or mechanical limit switch (MEC) to the controller.
- Connect controller to the motor.
- Connect controller to the mains network.
Secure cable groups with a cable tie directly before the respective terminal.
- Check and compare technical data.
➔ "12. Technical data"

5.3 Internal fuse protection

The controller CS 320 is equipped with internal fuse protection (F2) at the mains input. The fuse elements are equipped with fine fuses 8A / T (5.2 x 20 mm) in the factory.



⚠ ATTENTION!

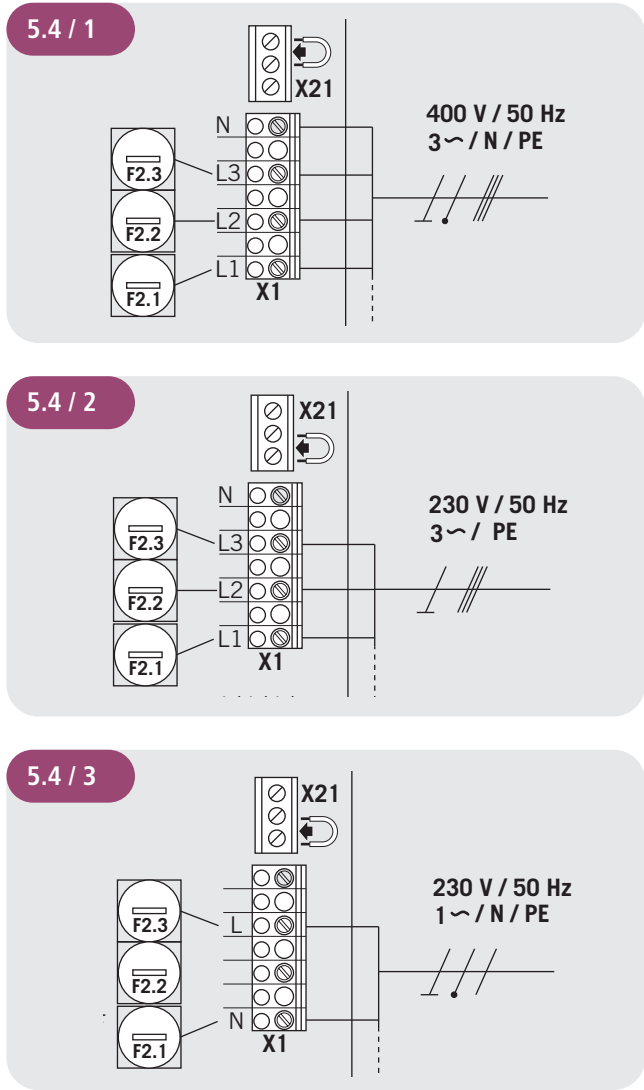
Malfunctions due to improper fuse protection of the controller!

- Internal fuse maximum 10 A / T!
- The internal fuses do not replace fuse protection of the supply cable. This shall be realised with max. 16 A and must be configured as triple block circuit breakers of type C.
➔ "5.2 Mains connection"

Installation

5.4 Mains voltage selection

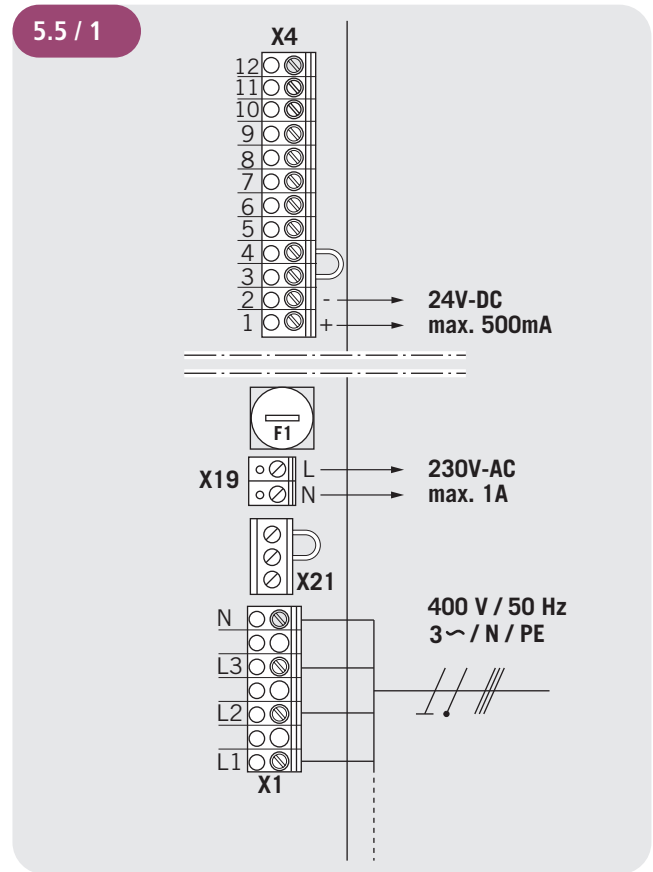
The position of the bridge connector to X21 must be adjusted to the supply voltage and motor voltage.



5.5 Supply to external devices (only with 400 V / 3-phase connection)

The CS 320 has 2 separate voltage supplies for external components, such as signal devices, light barriers, etc.

- X19 230V/1~
- X4 24V-DC

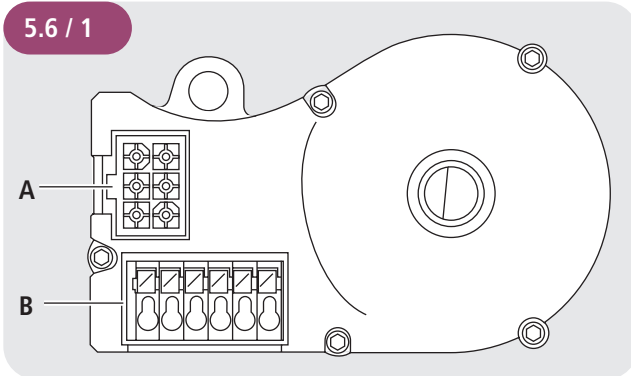


NOTE:

Use of the connection X19 is only possible with a supply with 400V / N / 3~.
The connection X19 is protected by the fuse element F1 (max. 1 A / T).

5.6 Connection of electronic limit position system absolute value encoder (AWG)

5.6 / 1



- A: Absolute value encoder plug
- B: AWG plug-in terminal

Connector strip X11 (on connector A)

5.6 / 2

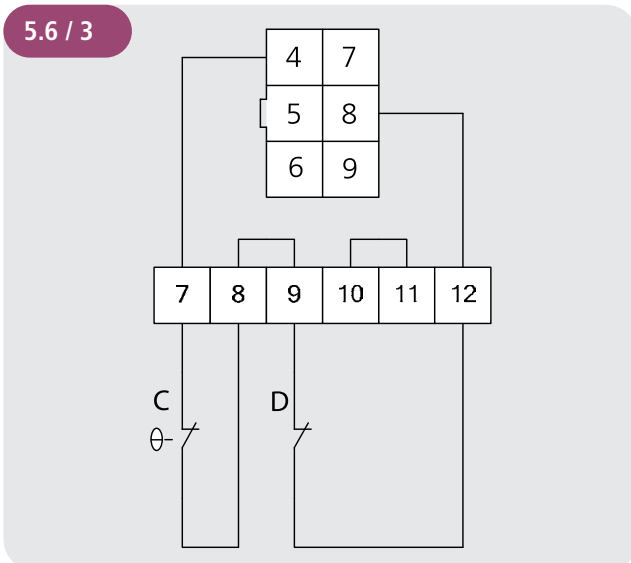
4 grey	7 yellow
5 green	8 pink
6 white	9 brown

Cables with either numbered or coloured wires are used for the AWG, depending on the drive:

- 4 (grey): Safety chain input
- 5 (green): RS 485 B
- 6 (white): GND
- 7 (yellow): RS485 A
- 8 (pink): Safety circuit output
- 9 (brown): 12V DC

Connector strip B (only absolute value encoder)

5.6 / 3



- C: Thermal element in the drive
- D: Emergency manual actuation (emergency crank or emergency chain)

NOTE:

In order to satisfy the requirements of EN 12453:2017 the electronic end position system must comply as a minimum with PL "c" with a min. category 2 per EN ISO 13849-1. In order to satisfy this requirement, it is only permissible to use an absolute value encoder from MFZ (art. no. 97957) as an electronic end position system.

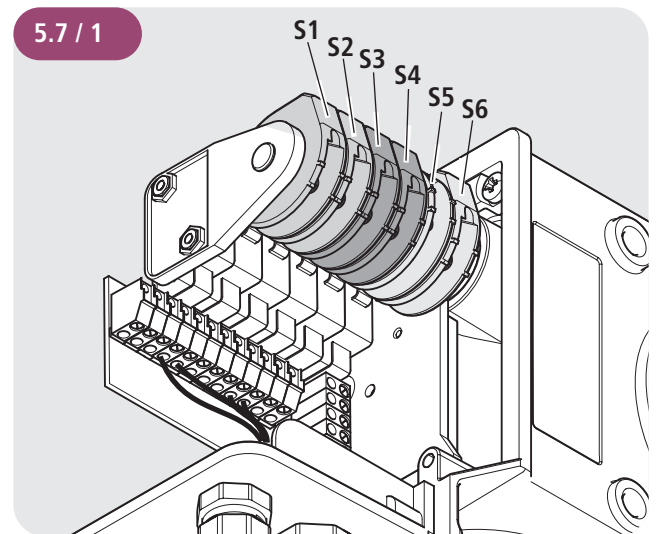
5.7 Mechanical limit switch (MEC) connection

Alternatively to the absolute value encoder as an electronic system, it is also possible to connect a mechanical cam limit switch and evaluate this.

With first commissioning and after a RESET, the connected limit position system is automatically detected. With a subsequent change, the respective limit position system must be selected via a parameter setting in the INPUT operating mode.

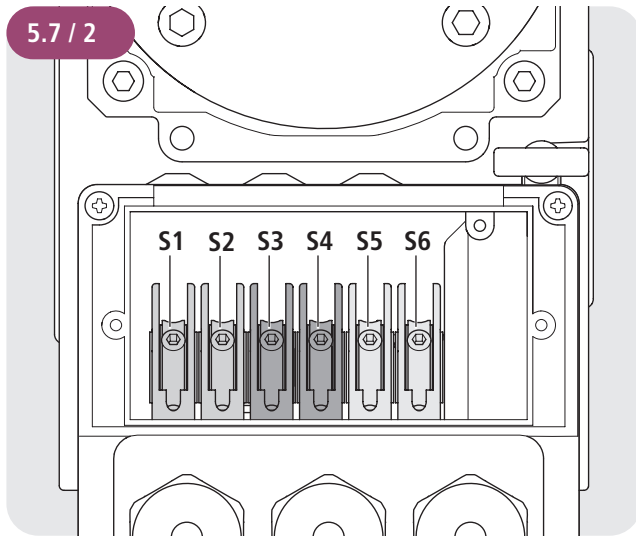
Series STA, MDF05, MTZ05

5.7 / 1

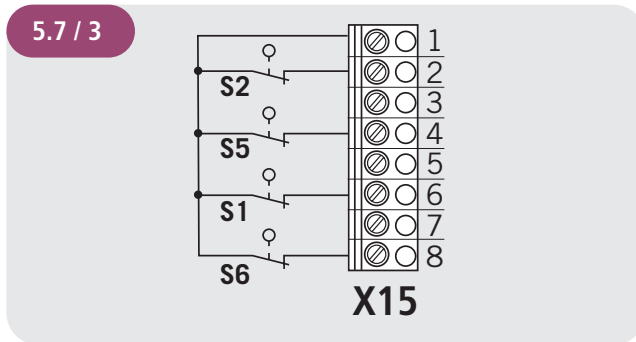


Installation

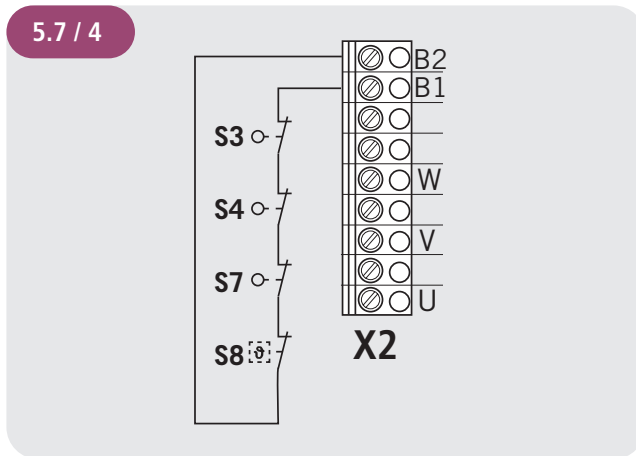
Series MDF20+, KD, MTZ20+



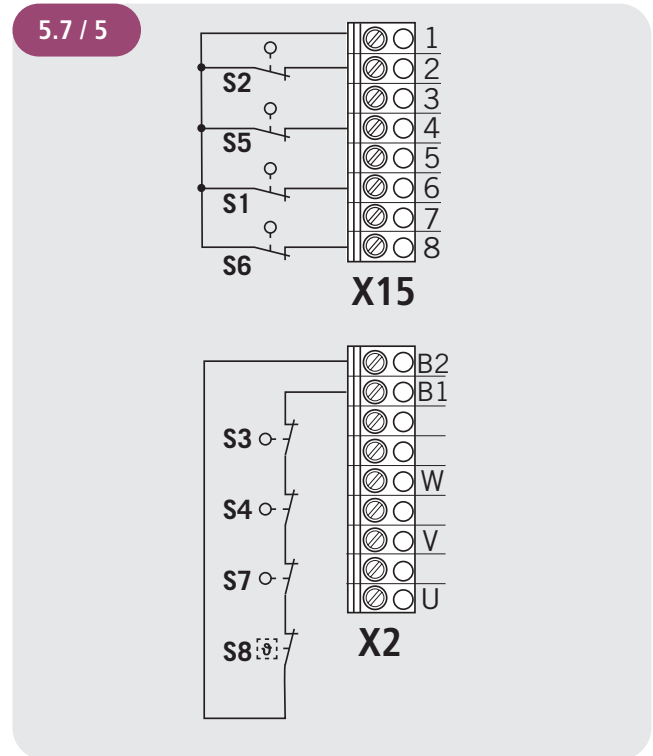
Mechanical limit switches



Safety circuit



Example of connection with 7-wire solution



Legend:

- S1 Supplementary limit switch UP
- S2 Limit switch UP
- S3 Safety limit switch UP
- S4 Safety limit switch DOWN
- S5 Limit switch DOWN
- S6 Supplementary limit switch DOWN
- S7 Emergency operation (NC - contact)
- S8 Motor thermal protection

NOTE:

In order to satisfy the requirements of EN 12453:2017 the mechanical limit switches must have been approved as a "reliable component" in accordance with EN ISO 13849-1. Drives with integrated safety catch device must not be equipped with mechanical limit switches.

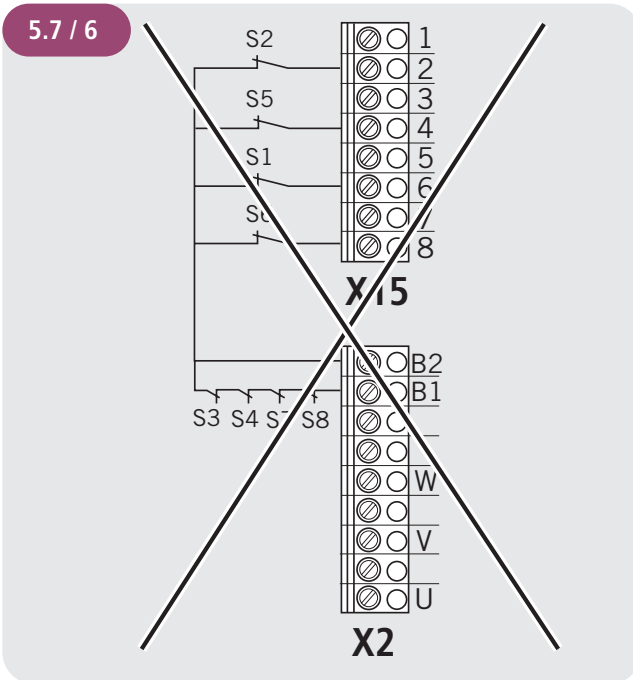
⚠ ATTENTION!

Property damage due to improper installation!

Connection as a 6-wire solution is prohibited and can lead to destruction of the CS 320 circuit board.

Reference potential on X2/B1-B2 = 24V-DC

Reference potential on X15=12V-DC



S

Installation

5.8 Connection of command devices

CAUTION!

Risk of injury due to uncontrolled door movement!

A CLOSE command in dead-man operation without a view of the door is not permitted.

☞ Install the command devices for the dead-man operation in direct visual contact with the door, although outside the danger zone for the operator.

A CLOSE command without visual sight of the door may only be given via input 1 / MOD32 (X4 / 9-10).

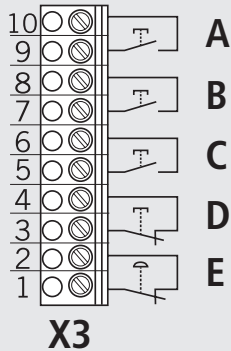
If the command device is not a key switch:

☞ Install it at a height of at least 1.5 m.

☞ Install it where it is inaccessible to the public.

Command devices (standard)

5.8 / 1

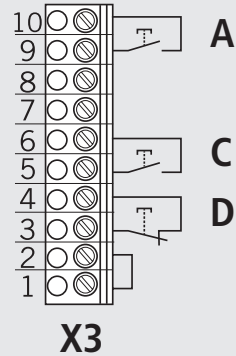


Legend:

- A Button / input DOWN
- B Button / input impuls
- C Button / input UP
(UP inside, with active two-way control)
- D STOP button
- E Emergency stop command device

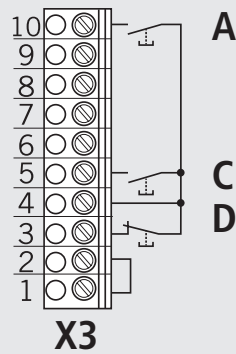
UP / STOP / DOWN switch (6-wire solution)

5.8 / 2



UP / STOP / DOWN switch (4-wire solution)

5.8 / 3

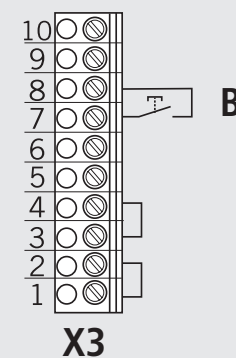


IMPULS button

Selection of the function via IMPULS parameter

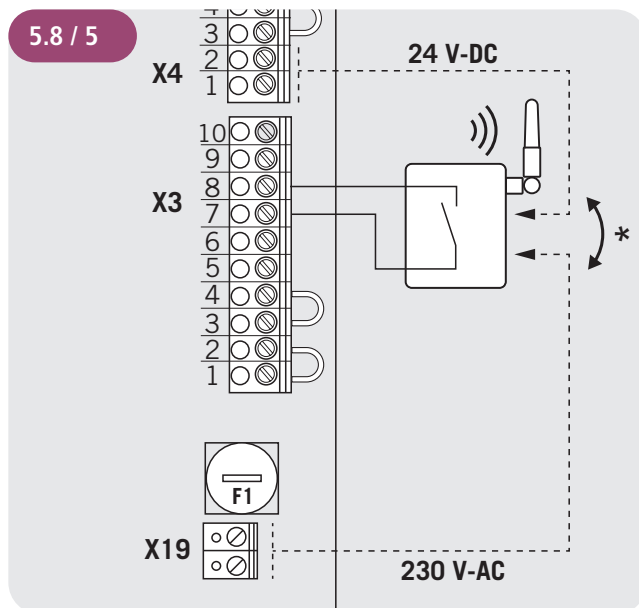
→ "10.2 Input operating mode" on page 35

5.8 / 4



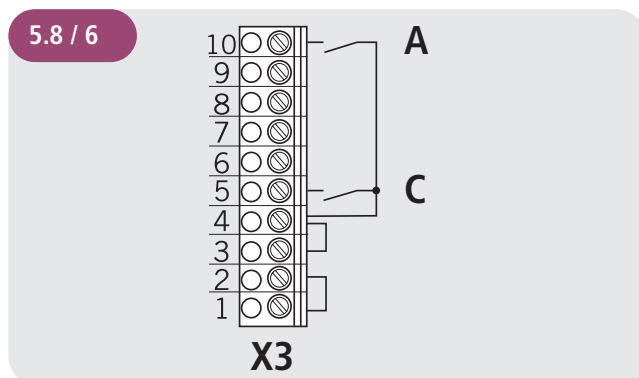
- UP switch
- STOP button

External radio receiver



* optionally, depending on connection of the radio receiver

Key switch

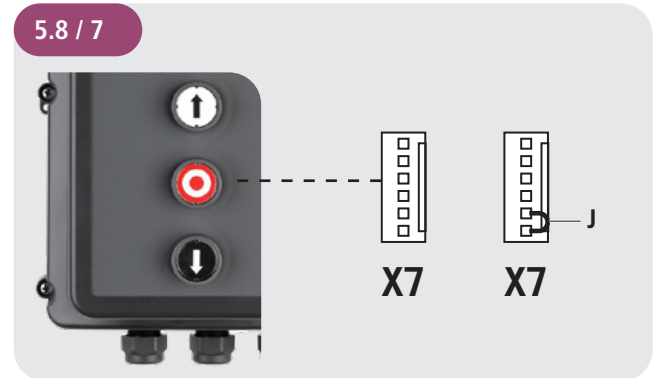


Legend:

- A Button / input DOWN
- C Button / input UP
(UP inside, with active two-way control)

Cover keypad KDT

Push-button with NO / NC contacts.
Up to year of manufacture 12 / 2009.

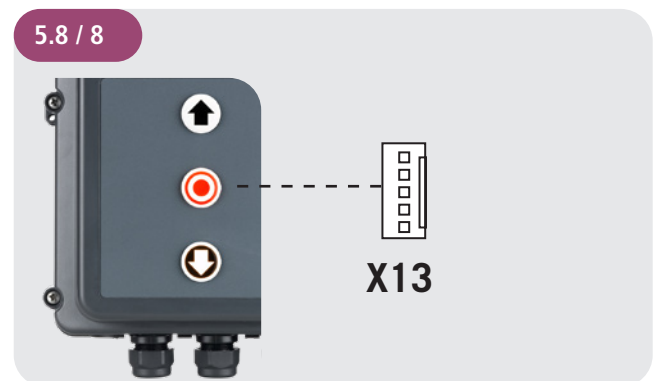


J Jumper (bridge)

The jumper must be connected if the KDT keypad is not connected.

Cover keypad CS

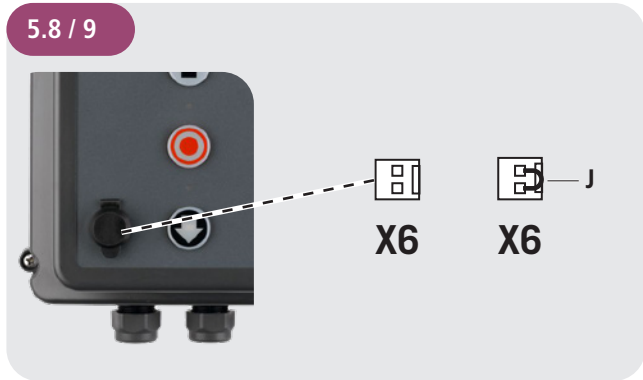
Silicone keys with NO contacts.
From year of manufacture 01 / 2010.



Installation

ON/OFF key switch

NC contact for interrupting the door function (optional).
This switch is part of the safety circuit.



J Jumper (bridge)

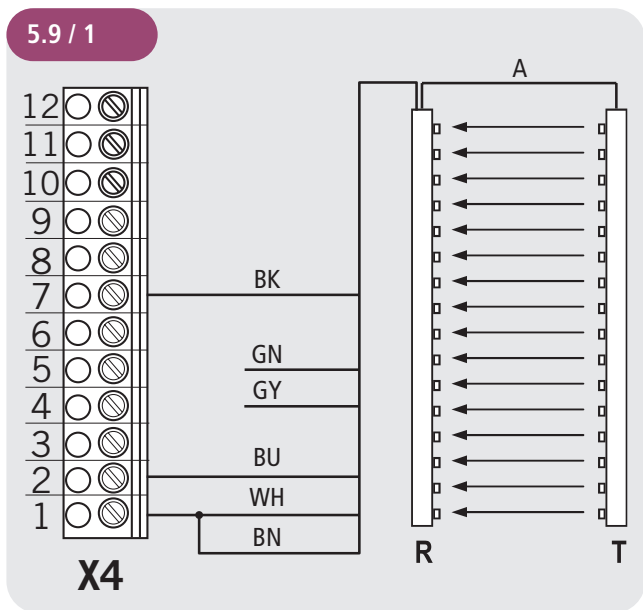
The jumper must be connected if the key switch is not connected.

5.9 Light grid connection

It is possible to connect up to 2 light grids to the CS 320.
Light grid 1 is connected to the closing edge protective device input. Light grid 2 is connected to programmable input 2.

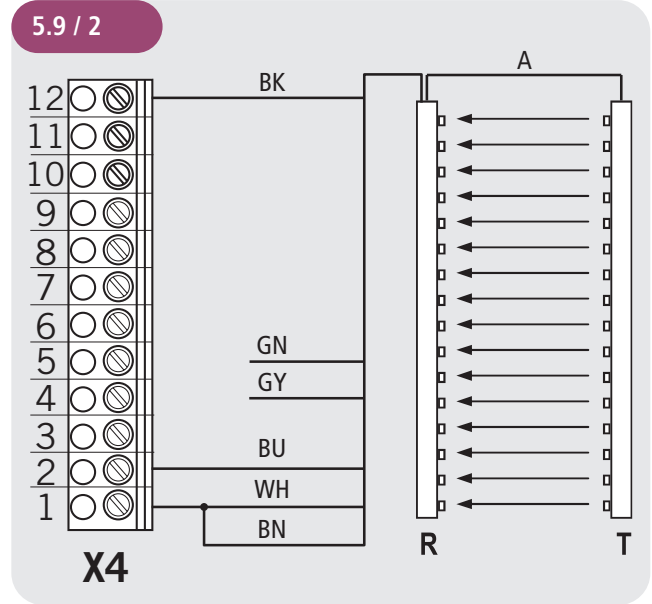
Light grid 1

Parameter SKS = MOD4
The connection cable (A) is pluggable.



Light grid 2

Parameter INPUT 2 = MOD 12
The connection cable (A) is pluggable.



Legend:

- BK Black
- GN Green
- GY Grey
- BU Blue
- WH White
- BN Brown

- R Receiver
- T Transmitter

NOTE:

The GridScan/Pro light grids from Cedes are shown on an exemplary basis in this manual.

The GridScan/Pro light grids correspond to

- Performance Level d, category 2 per EN ISO 13849-1
- Protection level E per EN 12453:2017

Diagrams from other manufacturers on inquiry.

i REFERENCE

For a precise description of the function and connection, refer to the separate documentation for the light grid.

5.10 Connection of closing edge protective device 1

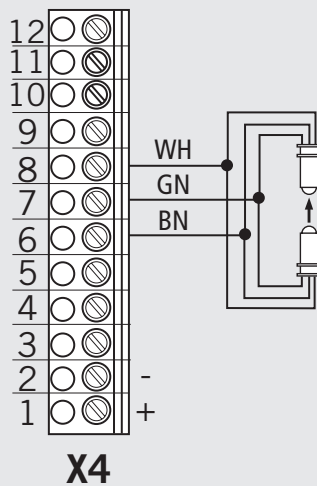
With first commissioning and after a RESET the system of the closing edge protective device is automatically detected and programmed. If no closing edge system is connected, the input is requested every time the power is switched on again until a closing edge system has been detected. With a subsequent change, the respective system must be selected via a parameter setting in the INPUT operating mode. In the case of light barriers with a test function, this must be set manually.

→ "10.2 Input operating mode"

Optoelectronic closing edge protective device (OSE)

Parameter SKS = MOD1

5.10 / 1



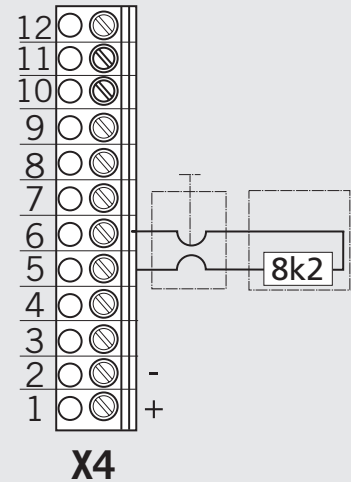
Legend:

WH White
GN Green
BN Brown

Electrical closing edge protection (8.2 kOhm)

Parameter SKS = MOD2

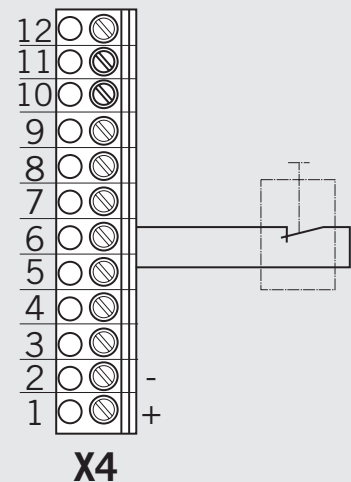
5.10 / 2



Pneumatic closing edge protection (DW)

Parameter SKS = MOD3 / testing automatically active

5.10 / 3



Installation

5.11 Connection light barrier 1

With first commissioning and after a reset the light barrier is automatically detected and programmed. If no light barrier system is connected, the input is requested every time the power is switched on again until a light barrier system has been detected. With a subsequent change, the respective system must be selected via a parameter setting in the input operating mode.

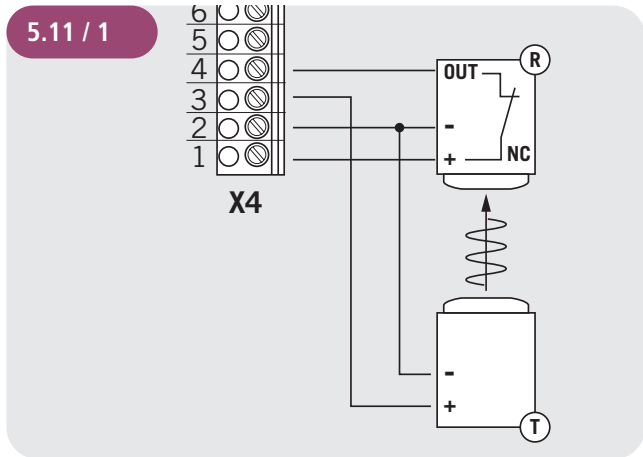
In the case of light barriers with a test function, this must be set manually.

→ "10.2 Input operating mode"

Light barrier 4-wire NC

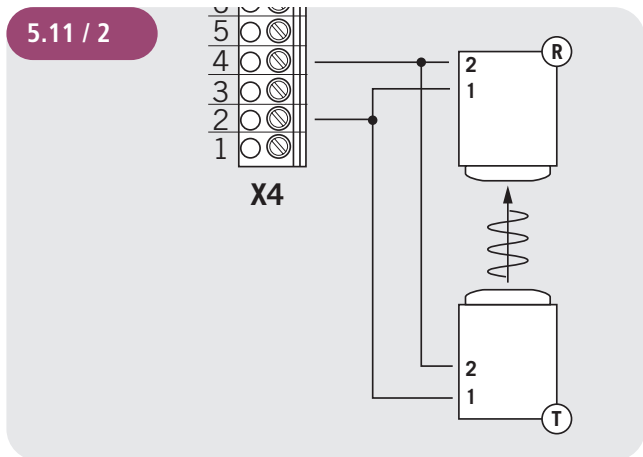
without testing parameter LIGHT BARR 1 = MOD 3

with testing parameter LIGHT BARR 1 = MOD 5



Light barrier MFZ 2-wire

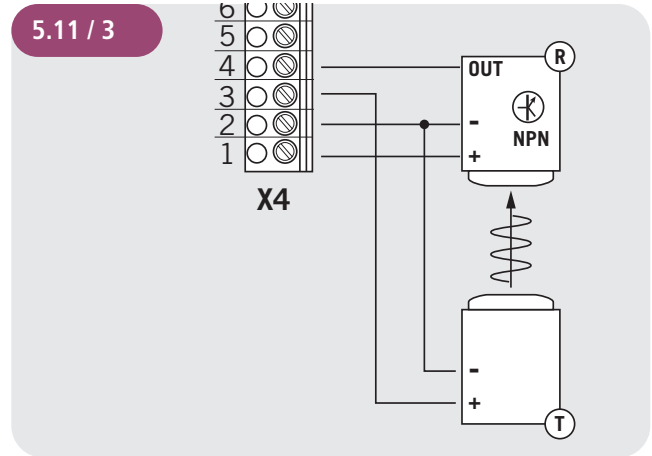
with testing parameter LIGHT BARR 1 = MOD 1



Light barrier 3 wire NPN

without testing parameter LIGHT BARR 1 = MOD 2

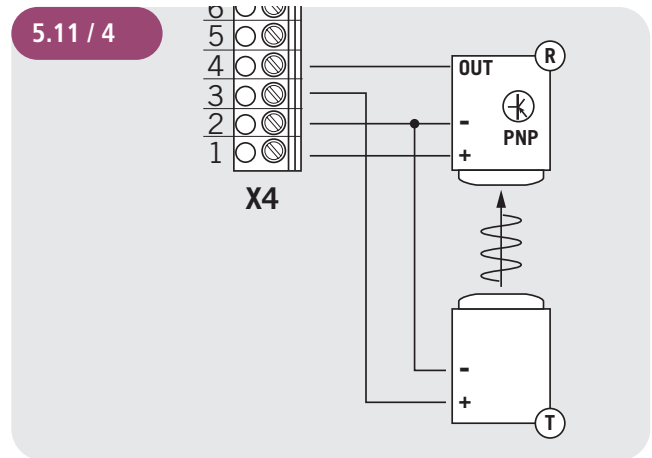
with testing parameter LIGHT BARR 1 = MOD 4



Light barrier 3 wire PNP

without testing parameter LIGHT BARR 1 = MOD 3

with testing parameter LIGHT BARR 1 = MOD 5



Legend:

R Receiver
T Transmitter

NOTE:

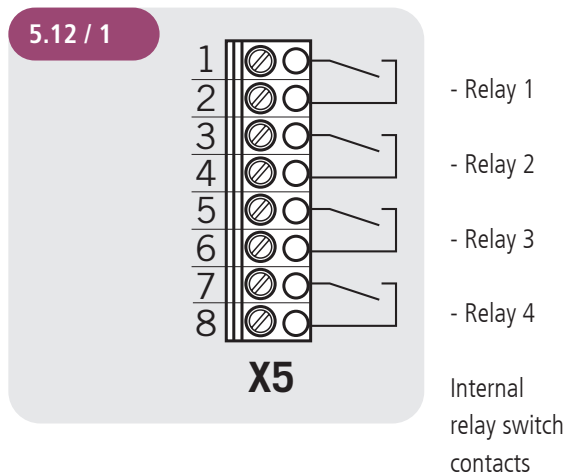
All light barriers are active in the UP or DOWN direction depending on the setting.

→ "10.2 Input operating mode" (Parameter LB FUNC 1)

5.12 Terminal assignment, relay outputs

Four potential-free relay outputs are available, which can be programmed with a variety of types of function.

→ "10.2 Input operating mode"



There are four potential-free relay outputs able to take a max. load of 4A at 230 V/1~.

The type of function depends on the parameter setting for the respective relay output in the INPUT operating mode.

5.13 Connection of programmable inputs

The controller CS 320 has 3 programmable inputs, for which different functions can be selected.

The type of wiring is determined on the basis of the parameter settings for the individual inputs.

→ "10.2 Input operating mode" (Parameter INPUT 1-3)

⚠ ATTENTION!

Danger of damage to the circuit board due to incorrect connection!

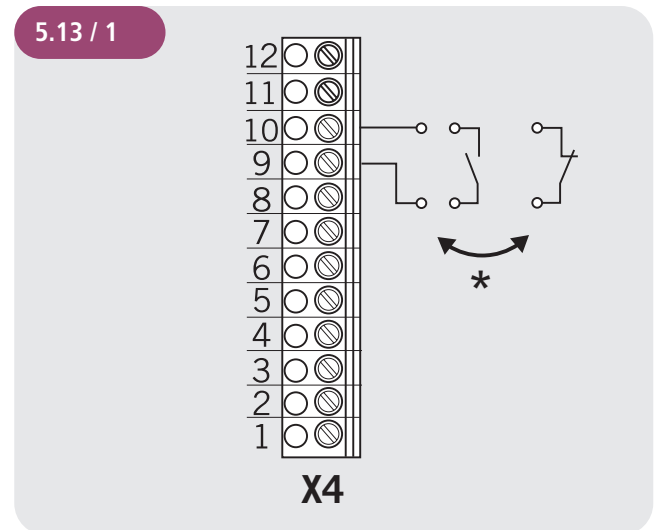
Inputs 1, 2 and 3 have different reference potentials and must not be operated from a common potential!

Input 1

Optional wiring with NO / NC contacts.

Reference potential 24V-DC

→ "10.2 Input operating mode" (Parameter INPUT 1)



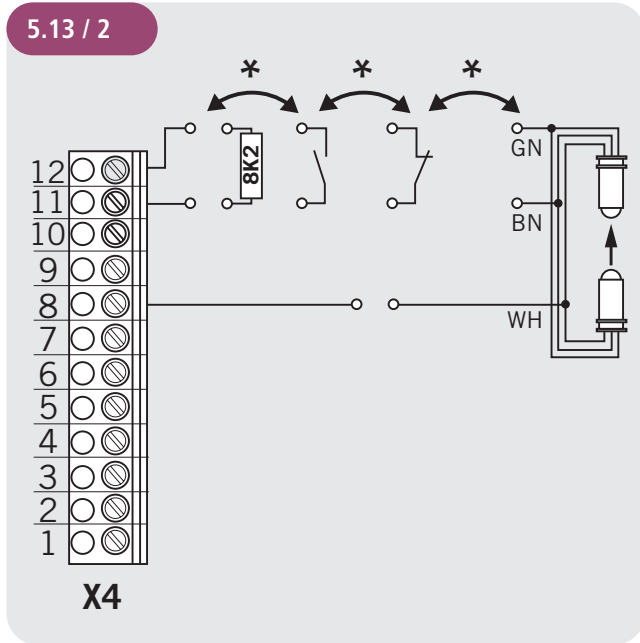
Installation

Input 2

Optional wiring with components on a 8.2 kOhm basis, NO / NC contacts and photo sensors.

Reference potential 12V-DC

→ "10.2 Input operating mode" (Parameter INPUT 2)



* optionally

Legend:

GN Green
BN Brown
WH White

NOTE:

Programmable input 2 can also be used for the connection of a light grid.

→ "5.11 Light grid connection"

Programmable input 2 is also used as a safety input in accordance with EN 12453:2017.

If a resistance value is detected with first commissioning and after a reset, the MOD8 (safety input) is activated automatically. Individually connected closing edge protective device 8.2 kOhm must be activated manually in this case.

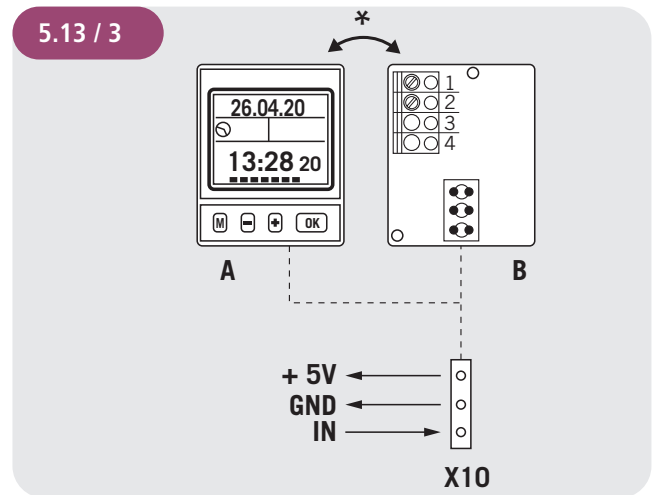
→ "5.14 Safety input per EN 12453"

Input 3

Connector strip for optional wiring with pluggable week timer, pluggable brake monitoring module BWM1 or as connection for monitoring an external load contactor and drive brake.

Reference potential 5V-DC

→ "10.2 Input operating mode" (Parameter INPUT 3)



* optionally

A Week timer

The week timer offers a weekly program for opening the door system and keeping it open with up to 8 switching times per day. While the door is held open, the timer emits a continuous signal that prevents the door system from closing.

After the set time interval has expired, this continuous signal is switched off and the door system can be closed again, e.g. manually via a CLOSE command.

Alternatively, automatic closing is also possible.

For this purpose the parameter OPEN TIME = 1 must be set in the input operating mode.

B Brake monitoring module BWM1

The brake monitoring module is required for drives with a brake connected (relay 4 / MOD 14-16). The module monitors the brake function.

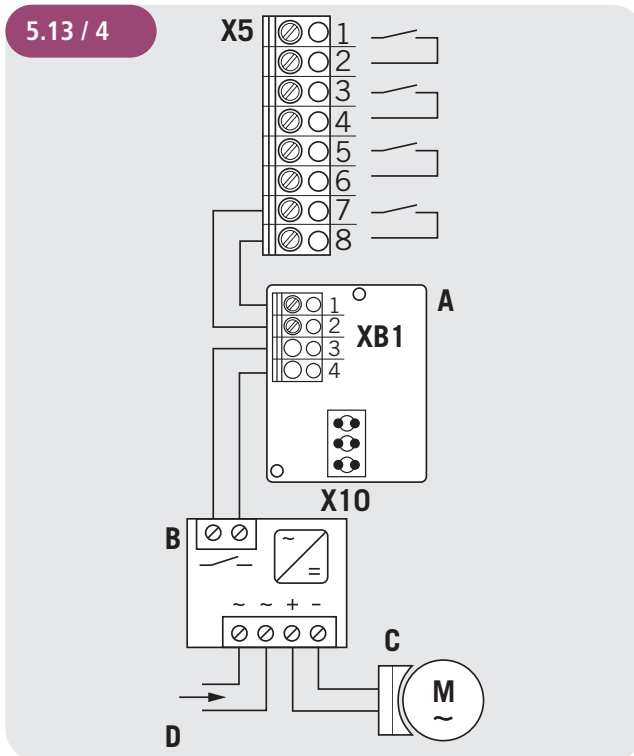
C Monitoring an external load contactor and drive brake (optional)

→ "5.13 / 5"

i REFERENCE

For a precise description of the function and connection, refer to the separate documentation for the week timer and brake monitoring module.

Connection of the brake monitoring module



Legend:

- A Brake monitoring module BWM 1
- B Brake rectifier
- C Drive brake
- D Brake power supply (AC)

NOTE:

If MOD14-16 (brake actuation) is set on relay 4, the mode for the brake monitoring module is automatically set at input 3. If a timer is used, this setting must be adapted to set the MOD for the timer at input 3.

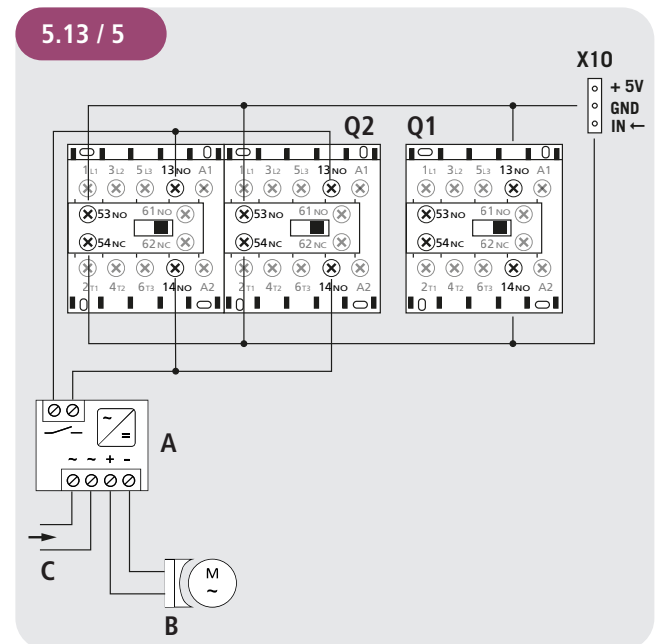
Optionally, input 3 can also be used for monitoring an external load contactor and the drive brake.

The parameter INPUT 3 must then be set to MOD22.

Connection for monitoring an external load contactor and drive brake (optional)

If the power of the door drive/frequency inverter used exceeds the maximum load capacity of the internal contactor, an external load contactor must be used.

In this case, it is possible to monitor the external load contactor and drive brake with input 3 and therefore guarantee safe operation.



Legend:

- A Brake rectifier
- B Drive brake
- C Brake power supply (AC)
- Q1 Mains contactor
- Q2 Load contactor

The wiring preparation is carried out in the factory.

Installation

5.14 Safety input per EN 12453

Increased requirements on the fail-safety of the slip door switch have been part of EN 12453 since 2001. With EN 12453:2017 increased safety requirements (PLc, Cat.2) also apply, for example to slack rope switches and switches of fall protection systems, including the transmission and processing of the signal.

With the setting MOD8 the programmable INPUT 2 allows the evaluation of these components, which all work with an internal resistance value of 8.2 kOhm. If a fault occurs in one of the components, the system can no longer be operated and the message ERROR STOP appears on the display.

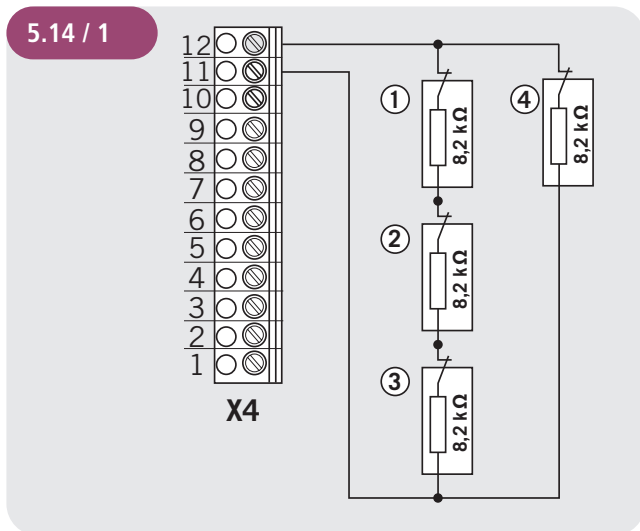
1 – 4 components on a 8.2 kOhm basis can be linked according to the following wiring diagrams. It does not matter which of the respective switches represents the components 1 - 4 here.

* optionally

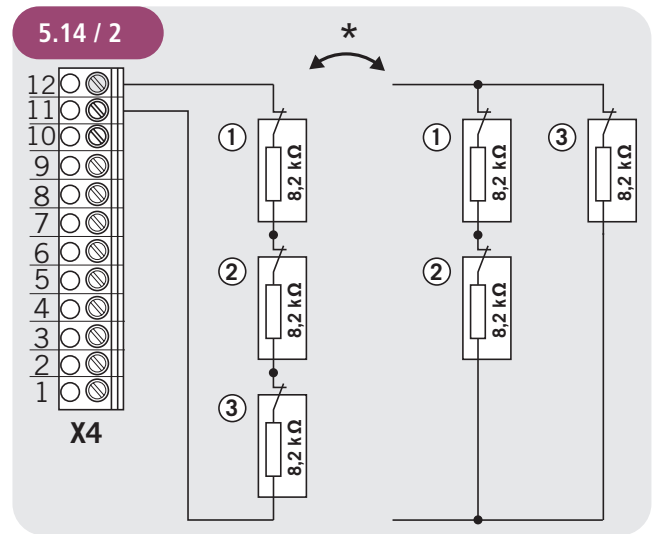
CHECK

The tolerance of the individual resistance values must not exceed max. 1%.

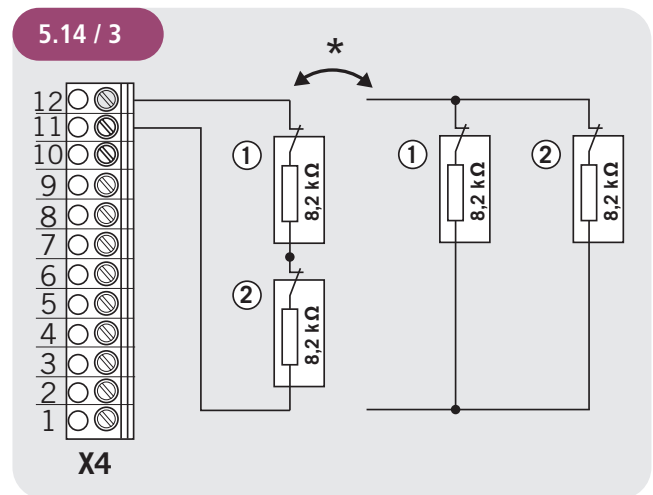
Connection 4 components



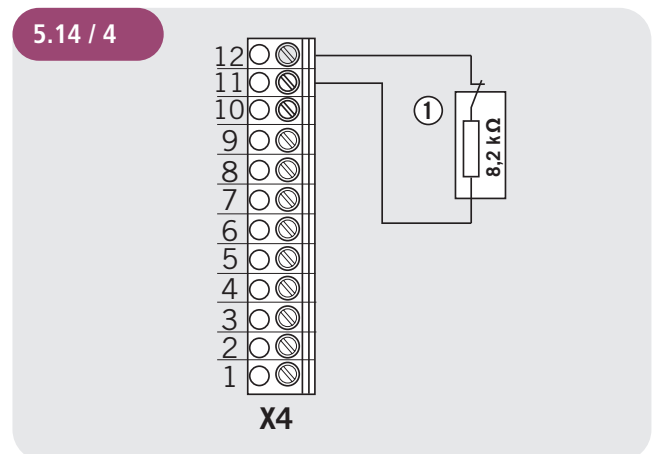
Connection 3 components



Connection 2 components



Connection 1 component



NOTE:

With first commissioning and after a reset, input 2 is set to A (self-teaching) once.

If a resistance value is detected, MOD8 (safety input) is automatically set and the measured value is stored and monitored as a reference for the connected safety-related components.

Deviation of the measured value leads to an error message.

If a safety element is subsequently added or removed, the resistance measurement must be performed again. For this purpose the parameter INPUT 2 must be manually reset to A (self-teaching) and the supply voltage must be switched off and on again once. Renewed measurement then takes place.

The components used must either comply with EN ISO 13849-1 PLc/Cat.2 or be approved as a reliable component in order to satisfy the requirements of EN 12453:2017.

Alternatively, the fall protection can also be equipped with an NC contact and integrated in the safety circuit of the controller (X3/1-2). This switch with NC contact must be approved as a reliable component per EN ISO 13849-1. To ensure cross-wire short monitoring, the connection cable must be laid in a protective tube.

5.15 Radio receiver, pluggable

2 different pluggable radio receivers can be connected to the controller directly.

CS-radio 1-channel, multi-bit, 15 storage spaces

- 868 MHz - art. no. 76616
- 433 MHz - art. no. 76614

Compatible hand-held transmitter:

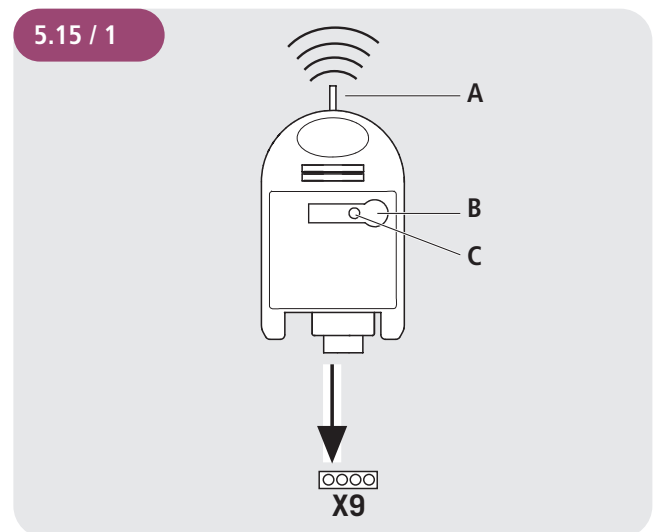
- RT 52, 28, 29, 31
- Digital 382, 384, 313, 321, 323, 306, 318

Digital 991 1-channel, AES 128 Bit, 200 storage spaces

- 868 MHz - art. no. 118726
- 433 MHz - art. no. 118727

Compatible hand-held transmitter:

- Digital 564, 663, 572, 633, 506, 517, 518



- A Antenna
- B Programming button
- C LED

i REFERENCE

For a precise description of the function and connection, refer to the separate documentation for the radio receiver.

Installation

5.16 CS radio

Connection

- 🔧 Plug the radio receiver into connector strip X9.

Teach transmitter codes

- 🔧 Press and hold the programming button (B) for longer than 1.6 seconds. The programming mode is activated. The LED (C) flashes.
- 🔧 Press the channel button of your transmitter. If the radio controller has stored the transmitter code, the LED lights up for approx. 4 seconds.

A total of 15 transmitter codes (hand-held transmitter) can be taught.

If all storage spaces are occupied, the LED flashes very rapidly. Furthermore, it is possible to integrate additional hand-held transmitters through duplication from one hand-held transmitter to the next.

Targeted deletion of a transmitter code

- 🔧 Press and hold the programming button (B) for longer than 1.6 seconds. The programming mode is activated. The LED (C) flashes.
- 🔧 Continue to press and hold the programming button. Erase mode is activated. The LED flashes very quickly.
- 🔧 Press the desired channel button of your transmitter. If the LED lights up for approx. 4 seconds, the corresponding transmitter code has been deleted.

You can cancel the deletion process by briefly pressing the programming button.

RESET (completely delete memory)

- 🔧 Press and hold the programming button (B) for longer than 1.6 seconds. Programming mode is activated. The LED (C) flashes.
- 🔧 Continue to press and hold the programming button. Erase mode is activated. The LED flashes very quickly.
- 🔧 Press and hold the programming button for longer than 1.6 seconds. If the LED lights up for approx. 4 seconds, all storage spaces have been deleted.

You can cancel the deletion process by briefly pressing the programming button.

5.17 Digital 991

Connection

- 🔧 Plug the radio receiver into connector strip X9.

Teach transmitter codes

- 🔧 Press and hold the programming button (B) for longer than 1.6 seconds. The programming mode is activated. The LED (C) flashes.
- 🔧 Press the teach button and then the channel button of your transmitter. If the radio controller has stored the transmitter code, the LED lights up for approx. 2 seconds.

A total of max. 200 transmitter codes (hand-held transmitter) can be taught. If all storage spaces are occupied, the LED flashes very rapidly.

Targeted deletion of a transmitter code.

- 🔧 Press and hold the programming button (B) for longer than 1.6 seconds. The programming mode is activated. The LED (C) flashes.
- 🔧 Continue to press and hold the programming button. Erase mode is activated. The LED flashes very quickly.
- 🔧 Press the desired channel button of your transmitter. If the LED lights up for approx. 2 seconds, the corresponding transmitter code has been deleted.

You can cancel the deletion process by briefly pressing the programming button.

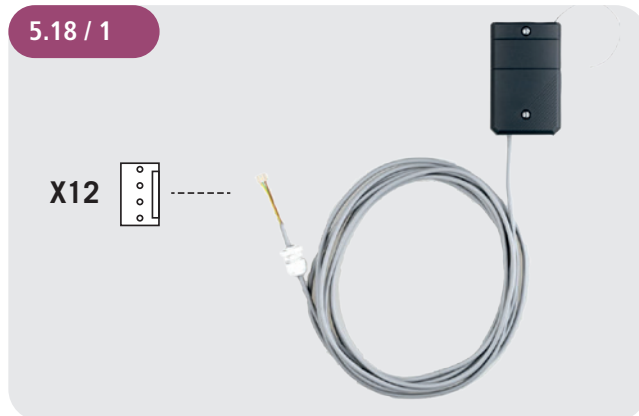
RESET (completely delete memory)

- 🔧 Press and hold the programming button (B) for longer than 1.6 seconds. The programming mode is activated. The LED (C) flashes.
- 🔧 Continue to press and hold the programming button. Erase mode is activated. The LED flashes very quickly.
- 🔧 Press and hold the programming button again for longer than 1.6 seconds. If the LED lights up for approx. 2 seconds, all storage spaces have been deleted.

You can cancel the deletion process by briefly pressing the programming button.

5.18 Connection of external radio receiver

In addition to the standard connection of an external radio ("5.8 / 5" External radio receiver) there is also an additional optional pre-wired, pluggable variant.

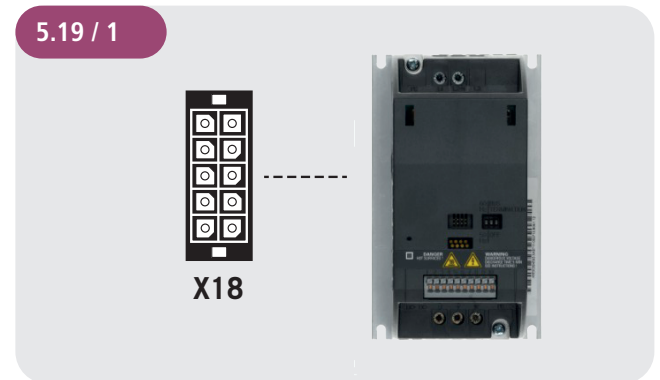


REFERENCE

For a precise description of the function and connection, refer to the separate documentation for the BUS modules.

5.19 Connection of frequency converter

It is possible to connect a Siemens frequency converter for speed-independent control of the door drive via interface X18.



ATTENTION!

Property damage due to improper installation!

When using a frequency converter, the drive, wiring and converter module must be compatible.

 Please contact MFZ technical support.

REFERENCE

For a precise description of the function and connection, refer to the separate documentation for the CS 320 FU.

Installation

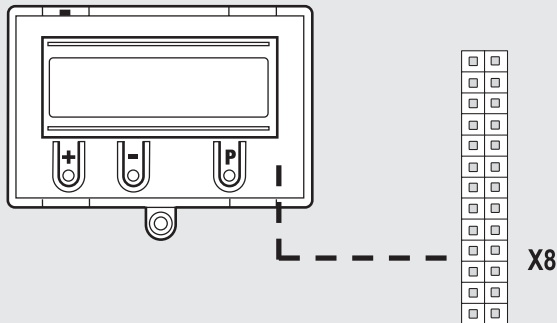
5.20 Connection of LCD monitor

Full access to all menu settings and parameters of the controller is possible via the LCD monitor.

→ "8. Programming"

Plug-in base X8

5.20 / 1



! ATTENTION!

Property damage due to improper installation!

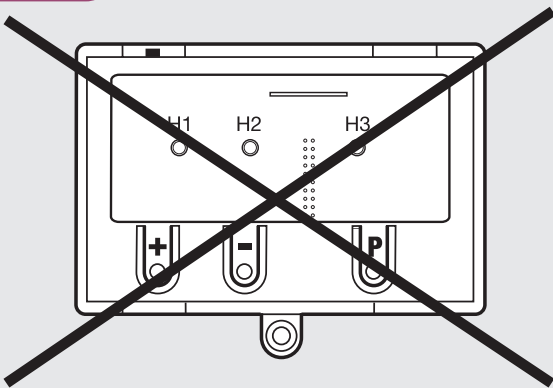
The LCD monitor must be plugged in whilst de-energised. Only an LCD monitor from MFZ (art. no. 91447) may be used.

! ATTENTION!

Property damage due to improper installation!

The MFZ LED module (art. no. 103239) cannot be combined with the CS 320. Use and commissioning can lead to destruction of the CS 320 circuit board.

5.20 / 2



5.21 Connection of MS BUS components

Two BUS interfaces are present on the circuit board for connecting different components.

The MS-BUS LCD monitor (#121246) is supplied with a 3 m long connection cable.

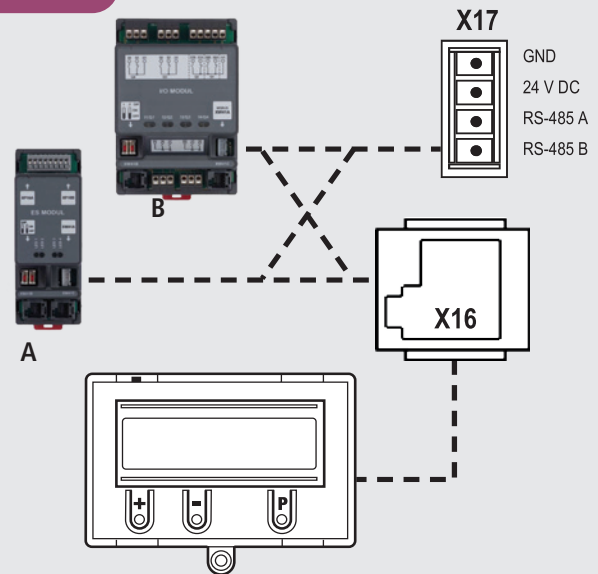
The MS-Bus LCD monitor (like the standard LCD monitor) permits full access to all parameter settings.

It is possible to expand functions or realise additional functions with the MS BUS function modules.

- ES module: Evaluation of trap-in protection systems
- I/O module: Input/output expansion
- GV module: Two-way control

Connector strip X16 / X17

5.21 / 1



- | | | |
|---|------------------------|--------------------------|
| A | ES module | Connection to X16 or X17 |
| B | I/O module / GV module | Connection to X16 or X17 |
| C | LCD monitor | Connection to X16 only |

i REFERENCE

For a precise description of the function and connection, refer to the separate documentation for the BUS modules.

NOTE:

The connector strips X16 and X17 can only be assigned once. However, multiple BUS modules can be connected through special bypass cables.

The current consumption must be considered with this.

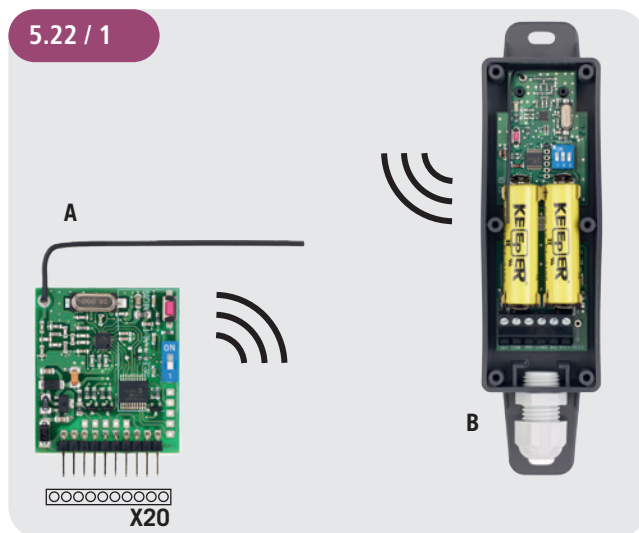
5.22 Transmission system radio

The transmission system radio is a radio system with bi-directional operation. The transmission system facilitates wireless signal transmission from safety equipment to door systems.

The radio connection exists between an internal, pluggable component, which is connected to X20, and an external unit that is mounted on the door leaf.

It is possible to transmit signals from different closing edge systems and/or a safety circuit.

Transmission with spiral cable is thereby omitted.



- A Pluggable components. Is connected to connector strip X20 of the CS 320.
- B External unit. Is mounted on the door leaf. The safety strip and safety circuit are connected here.

i REFERENCE

For a precise description of the function and connection, refer to the separate documentation for the transmission system.

6. Initialisation

With first commissioning and after a RESET the following components are automatically detected and programmed:

- End position system
- Closing edge protective device
- Light barrier system
- Input 2 (safety input)

During this process (approx. 60 seconds) the green LED flashes and the display shows “PLEASE WAIT ...” in the top line.

Operation of the system is not possible at this time.

The end position system must be installed before first commissioning.

Components can be retrospectively changed or added via the LCD display or renewed initialisation.

If a component is not yet connected, this is shown in the display with “A”.

A search for this component takes place with every subsequent initialisation. If this is detected, the corresponding setting mode is set automatically.

Exception:

Input 2 remains inactive (OFF), if a resistance value is not detected with first initialisation.

If a resistor is detected at input 2 with first commissioning, this is evaluated as a safety element and put into operation as a safety input.

→ “10.2 Input operating mode” / parameter INPUT 2

NOTE:

Initialisation serves not only to teach the different system components, but also offers the option of changing the menu language directly.

The pre-set menu language (ENGLISH) appears for 60 seconds as flashing text in the display. With the [+] and [-] buttons it is possible to select the desired language and save this with the [P] button. All texts / messages are subsequently displayed in the selected language.

7. Setting the limit positions

7.1 Checking the drive / travel direction

Change to adjustment mode

☞ Press the (P) button until ADJUSTMENT appears.

Checking the drive direction

☞ Press the (+) button. The door must open.

☞ Press the (-) button. The door must close.

If this is correct, proceed to setting the limit positions.

Otherwise, change the direction of travel.

Changing the direction of travel

☞ Press and hold the buttons (+) and (-) simultaneously for more than 5 seconds. The display shows "LEFT ROT FIELD".

Any limit positions that were saved will have been deleted.

Proceed with the setting the limit positions.

7.2 Setting the mechanical limit switches

Change to adjustment mode

☞ Press the (P) button until ADJUSTMENT appears.

Setting the UP and DOWN limit positions

REFERENCE

Setting the limit positions is described in the separate documentation for the mechanical limit switches.

☞ Exit adjustment mode by pressing the (P) button.

Note

The system does not exit adjustment mode automatically. Exit adjustment mode by pressing the (P) button in order to change to normal mode.

7.3 Setting the electronic end position system using the setting buttons on the circuit board

Change to adjustment mode

☞ Press the button (P) for approx. 5 seconds.

The red LED flashes slowly.

Setting the UP end position

☞ Drive the door to the desired UP end position by pressing the (+/-) buttons.

☞ Save end position by pressing the (P) button and additionally also the (+) button.

The red LED flashes rapidly for approx. 1 second.

Setting the DOWN end position

☞ Drive the door to the desired DOWN end position with the (+/-) buttons.

☞ Save end position by pressing the (P) button and additionally also the (-) button.

The red LED flashes rapidly for approx. 1 second.

The adjustment mode is automatically exited.

The red LED goes out.

Note

- The adjustment mode is automatically exited after approx. 7 minutes, if no button is pressed.
- Normal operation is not possible until both end positions have been learned through the initial calibration.
- If an end position is to be corrected, the ADJUSTMENT mode can be exited by pressing the (P) button after learning the special end position.
- After programming the limit switches, the system run-time is learned automatically. The controller functions are the same as in automatic mode.


7.4 Setting the electronic limit position system via the LCD monitor

ATTENTION!



Improper assembly will cause damage or destruction!

The monitor must be plugged in whilst de-energised. Only a standard LCD monitor (#91447) from MFZ may be used.



Change to adjustment mode

-  Press the (P) button until ADJUSTMENT appears.

Setting the UP end position

-  Drive the door to the desired UP end position by pressing the (+/-) buttons.
-  Save end positions by pressing the (P) button and additionally also the (+) button.
"STORE UP" appears in the display.

Setting the DOWN end position

-  Drive the door to the desired DOWN end position with the (+/-) buttons.
-  Save end position by pressing the (P) button and additionally also the (-) button.
"STORE DOWN" appears in the display.

The adjustment mode is automatically exited.

Note



- The adjustment mode is automatically exited after approx. 7 minutes, if no button is pressed.
- Normal operation is not possible until both end positions have been learned through the initial calibration.
- If an end position is to be corrected, the ADJUSTMENT mode can be exited by pressing the (P) button after learning the special end positions.
- After programming the limit switches, the system run-time is learned automatically. The display shows TEACH IN RUN. The controller functions are the same as in automatic mode.

7.5 Setting the intermediate positions of the electronic limit position system via the LCD monitor




Drive the door to the desired position in automatic mode

-  Drive the door to the desired intermediate positions (INT POS UP or INT POS DOWN) with the (+/-) buttons.


Change to input mode

-  Press the (P) button until INPUT appears.
-  Press and hold the buttons (+) and (-) simultaneously for more than 2 seconds. The first parameter appears in the second line of the display.

Save the intermediate UP (INT POS UP) or DOWN (INT POS DOWN) position

-  Press the buttons (+/-) until the parameter INT POS UP or INT POS DOWN appears.
The value stands at A.
-  Press the button (P) to accept the current door position as the intermediate position.
-  Save the intermediate position by pressing the (P) button again.

Exit Input operating mode

-  Press and hold the buttons (+) and (-) simultaneously for more than 1 second.
Input is exited.

Change to automatic mode

-  Press the (P) button until AUTOMATIC appears.

Note

If an intermediate position is to be corrected, the taught value can be changed in the INPUT menu or set to A again, so that a new teach-in can be started.

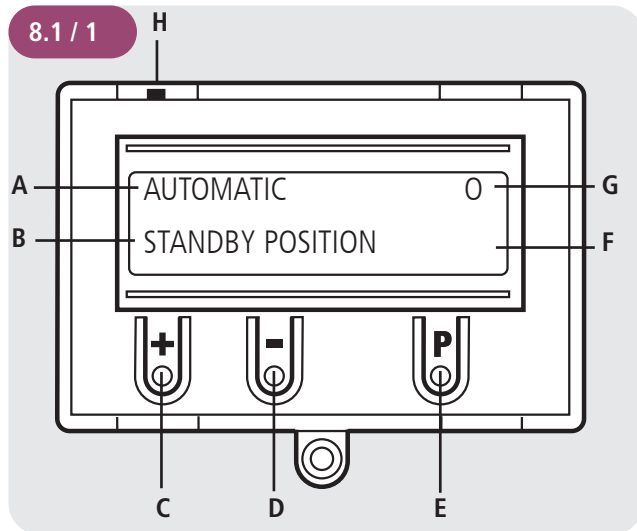
8. Programming

8.1 Overview of the LCD monitor

! ATTENTION!

Property damage due to improper installation!

The display must be plugged in whilst de-energised. Only a standard LCD monitor (#91447) from MFZ may be used.



Explanation:

- A: Operating mode / diagnostics info
- B: Parameters / diagnostics info
- C: (+) button
- D: (-) button
- E: (P) button
- F: Value/status
- G: Value/status
- H: Jumper

If the jumper H is removed, the (+), (-) and (P) buttons no longer function.

The display continues to function.

After the controller has been switched on, it is in the initialisation phase. The display shows "PLEASE WAIT ...". The controller is not ready for operation. The initialisation phase takes approx. 60 seconds after switching on for the first time.

8.2 LCD monitor operating modes

With the LCD monitor, the controller has four operating modes:

1. AUTOMATIC
2. ADJUSTMENT
3. INPUT
4. DIAGNOSIS

The operating modes ADJUSTMENT, INPUT and DIAGNOSIS are automatically exited 7 minutes after the last button was pressed.

The controller changes to AUTOMATIC mode.

Operating mode 1: AUTOMATIC

The door system is driven in AUTOMATIC mode.

Display:

- Display of the function being carried out
- Display of possible faults

If the "Self-locking" parameter is set to MOD2-7 or MOD9 in the input menu, the display switches from AUTOMATIC mode to MANUAL.

Operating mode 2: ADJUSTMENT

The UP and DOWN limit positions are set in ADJUSTMENT mode.

! ATTENTION!

Risk of property damage due to improper operation of the controller!

When in ADJUSTMENT mode, there is no shutdown with the electronic limit position system (AWG) upon reaching the limit positions. The door can be damaged by running past the limit positions.

Fine adjustment can be implemented in INPUT mode.

Display:

- Displays the limit position value

Operating mode 3: INPUT

The values of various parameters can be changed in INPUT mode.

Display:

- Displays the selected parameter
- Displays the status/value set

Operating mode 4: DIAGNOSIS

Door-specific checks can be interrogated in DIAGNOSIS mode.

Display:

- Display of the check
- Display of the check status

8.3 Expert menu

Under factory settings (standard), only a few parameters appear in the INPUT operating mode, which can be adjusted by the operator. These setting parameters reflect the most frequently applied requirements for an industrial door system and are sufficient for commissioning in a standard situation. The last item in this list is the "EXPERT MENU" parameter. This is always set to OFF.

OFF: Limited number of parameter settings:

- Menu language
- INT POS UP
- OPEN TIME
- FOREWARNING TIME
- FAST CLOSE
- REVERSE OFF
- INPUT 1
- SELF LOCK
- EXPERT MENU

Setting the EXPERT MENU parameter to ON activates the expert mode. It is now possible to call up and set all input menu parameters.

→ "10.2 Input operating mode"

Note

- The expert mode is automatically exited after approx. 7 minutes, if no button is pressed. Now, only the limited selection of parameters is once again available until the EXPERT MENU parameter is set to ON again.
- The same applies to switching off the power. This once again sets the EXPERT MENU parameter to OFF.

8.4 RESET

The RESET function can be used to reset the control parameters to the pre-selected factory settings.

→ "10.2 Input operating mode"

FACTORY SETTING parameter

Selection of the parameter set that should be reset with a RESET.

It is possible to implement different types of reset whereby more or less settings are reset.

→ "10.2 Input operating mode"

RESET parameter

Part reset 1 :

All parameter settings are reset, apart from the settings for the frequency converter (only with CS 320 FU).

Part reset 2 :

All parameter settings are reset, apart from the settings for the limit positions and the detected limit position system.

Full reset :

Everything is reset to factory settings.

→ "8.5 RESETTING the controller with LCD monitor"

→ "8.6 RESETTING the controller without LCD monitor"

Programming

8.5 RESETTING the controller with LCD monitor

Changing to the INPUT operating mode

- ☞ Press (P) button until INPUT appears.
- ☞ Press and hold the buttons (+) and (–) simultaneously for more than 2 seconds to activate the input.

Resetting the controller

- ☞ Press the buttons (+/–) until the RESET parameter appears. The value stands at "OFF".
- ☞ Press the button (+) until MOD3 appears.
- ☞ Press (P) button to start the RESET.

The system runs through the initialisation phase and all connected safety components and the limit position system are automatically taught.

Change to adjustment mode

- "7.4 Setting the electronic limit position system via the LCD monitor"

Change to automatic mode

- ☞ Press (P) button until AUTOMATIC appears.

8.6 RESETTING the controller without LCD monitor

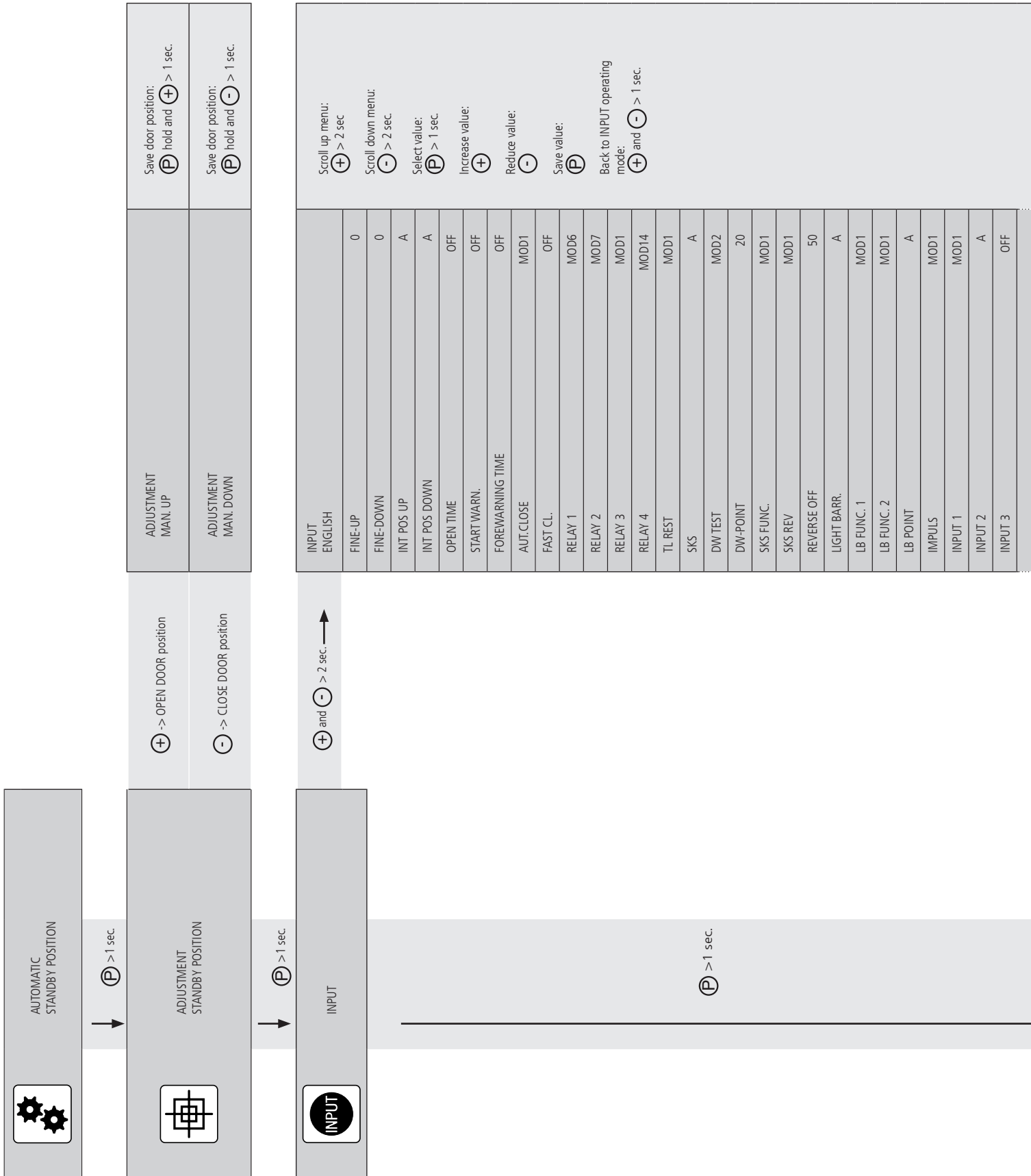
- ☞ Interrupt the supply voltage.
- ☞ Press and hold the circuit board buttons (P) and (–) at the same time.
- ☞ Switch the supply voltage back on.
- ☞ Press and hold the circuit board buttons (P) and (–) at the same time until the red LED (H6) flashes rapidly.
- ☞ Release the circuit board buttons (P) and (–).

The system then runs through the initialisation phase (approx. 60 seconds).

During initialisation, it is not possible to program or operate the system.

After initialisation is complete, the limit positions are deleted and all parameters are reset to factory settings.

9. Navigator (only LCD monitor)



SKS3	MOD1
SKS4	MOD1
RUNNINGTIME	A
REVERS.TIME	300
LIMIT SW.	A
SELF LOCK.	MOD1
POWER	10
RESET MSBUS	OFF
RESTART	OFF
FACTORY SET.	99
RESET	OFF
PIN-NO.2	1111
SERVICE	OFF
INVERTER	MOD1
EXPERT MENU	OFF




DIAGNOSIS

UPPER SWITCH	ON
LOWER SWITCH	ON
UP-SWITCH	OFF
DOWN-SWITCH	OFF
INPUT 1	OFF
INPUT 2 / SKS OP. 2 / SAFE. 2	- / ON / OFF
INPUT 3	- / OFF
SKS	ON
SKS 3 / SAFE: 3	- / ON
SKS 4 / SAFE: 4	- / ON
IMPULS	OFF
TIMER	OFF
LIGHT BARR.	ON
LIGHT BARR. 2	ON
STOP CHAIN	ON
STOP	ON
ROT FIELD	Right
CYCLE	000000
SERVICE	OFF
AWG	0000
C.STOP	0000
C.OPENED	0000
C.O.BTN	0000
Error memory	Error ...

Scroll up menu:
 > 2 sec

Scroll down menu:
 > 2 sec

Back to AUTOMATIC
operating mode:


Only interrogation possible

10. Functional overviews

10.1 Automatic mode



Display		Description
AUTOMATIC TEACH IN RUN		The run-time is taught automatically.
AUTOMATIC OPENING		The door is currently in the opening phase.
AUTOMATIC CLOSING		The door is currently in the closing phase.
AUTOMATIC STANDBY POSITION		The door is currently in an intermediate position.
AUTOMATIC STANDBY POSITION	O	The door is in the UP limit position.
AUTOMATIC STANDBY POSITION	o	The door is in the Sect. UP position ("intermediate position UP" parameter).
AUTOMATIC STANDBY POSITION	U	The door is in the DOWN limit position.
AUTOMATIC STANDBY POSITION	u	The door is in the Sect. DOWN position ("intermediate position DOWN" parameter).
AUTOMATIC STANDBY POSITION	r	The door is in the reverse shut-off position.
AUTOMATIC STOP		The command button STOP (cover keypad CS) was pressed for longer than 5 seconds.
AUTOMATIC PERMANENT INPUT		When the power is switched off, an active signal (NO) is detected at the UP, DOWN, pulse or programmable input 1 (with use of I/O BUS modules, also inputs 11-14 or 15-18). This always constitutes an impermissible state. The cause is probably a defective component that must be replaced. Exception: The signal comes from a pluggable timer or the programmable input 1 if this is set as a timer function (MOD4), or fire alarm function (MOD5-9, 13).
AUTOMATIC CRASH SENSOR		The door system crash sensor has been activated (connection to X4/9-10, programmable input 1, MOD18). A vehicle (e. G. forklift truck) has possibly driven into the closed door.
SERVICE STANDBY POSITION		The pre-selected service interval has been reached.

If the "Self-locking" parameter is set to MOD2-7 or MOD9 in the input menu, the display switches from AUTOMATIC mode to MANUAL.

Display		Description
MANUAL MAN. UP		The door is currently in the opening phase.
MANUAL MAN. DOWN		The door is currently in the closing phase.
MANUAL STANDBY POSITION		The door is currently in an intermediate position.

10.2 Input operating mode



Function	Description	Adjustment options	Factory setting
DEUTSCH	<p>Selection of the menu language.</p> <p>Only with LCD monitor: The menu language can also be selected during the initialisation phase (during first commissioning or after a reset). The factory pre-set menu language (ENGLISH) appears here for approx. 60 seconds as flashing text in the display. At this time it is possible to change the menu language during the initialisation phase. You can scroll through the language choices by pressing the [+] or [-] buttons. Save the desired language with the [P] button. All texts / messages are subsequently displayed in the selected language.</p>	DEUTSCH ENGLISH FRANCAIS NEDERLANDS DANSK ESPANOL POLSKI CESKY ITALIANO SUOMI SVENSKA TÜRKÇE NORSK MAGYARUL	DEUTSCH
FINE-UP	<p>Fine adjustment of the UP limit position in relation to the saved limit position (UP SWITCH). Only visible with electronic limit position system.</p>	-250 – 250	0
FINE-DOWN	<p>Fine adjustment of the DOWN limit position in relation to the saved limit position (DOWN SWITCH). Only visible with electronic limit position system.</p>	-250 – 250	0
INT POS UP	<p>Setting the switching point UP intermediate position (Sect. UP) in relation to the saved limit position UP. Display as a negative value. Only visible with electronic limit position system.</p> <p>Automatic teach-in of the position: → "7.5 Setting the intermediate positions of the electronic limit position system via the LCD monitor"</p>	A (teaching) -1 – DOWN SWITCH	A
INT POS CLOSED	<p>Setting the switching point DOWN intermediate position (Sect. DOWN) in relation to the saved limit position DOWN. Display as a positive value. Only visible with electronic limit position system.</p> <p>Automatic teach-in of the position: → "7.5 Setting the intermediate positions of the electronic limit position system via the LCD monitor"</p>	A (teaching) 1 – UP SWITCH	A
OPEN TIME	<p>After opening, the door automatically travels in the DOWN direction after the set value has passed.</p> <p>Note: Pressing the DOWN button during the open time starts the closing operation immediately. Pressing the UP or STOP button during the open time restarts the time. If an automatic closing operation is interrupted by the closing edge protective device, the open time is added to every new attempt. After 3 attempts, automatic closing is cancelled.</p>	OFF, 1 – 3600 seconds	OFF
START WARN.	<p>The start-up warning is implemented before every run.</p>	OFF, 1 – 10 seconds	OFF
FOREWARNING TIME	<p>The warning time is activated before automatic downward travel or closing through pulse operation.</p> <p>Note: This time is added to the start-up warning</p>	OFF, 1 – 300 seconds	OFF

Functional overviews

Function	Description	Adjustment options	Factory setting
AUT.CLOSE	Automatic closing after the open time has elapsed. MOD1: AUT.CLOSE from UP limit position MOD2: AUT.CLOSE from Sect. UP limit position MOD3: AUT.CLOSE from UP limit position and Sect. UP limit position MOD4: AUT.CLOSE from <i>all</i> door positions	MOD1 – MOD4	MOD1
FAST CL.	Premature closing after passing through the light barrier. Prerequisite: Connection of a light barrier at pass through-height and setting of an open time > 0. With open time = 0 the door closes directly after passing through the light barrier. MOD2: The open time is cancelled after passing through the light barrier (system shuts immediately). If passing through the light barrier occurs during opening, the programmed open time is ignored and the door closes directly. MOD3: The open time is cancelled after passing through the light barrier for a minimum duration of 2 seconds (personnel suppression). If passing through the light barrier occurs during opening, the programmed open time is ignored and the door closes directly. MOD4: Like MOD2, but the light barrier does not function during opening.	OFF, MOD2 – MOD4	OFF
RELAY 1	All 4 relays can be assigned a relay mode from 1 – 13, 17 – 19, 21 – 46, 49 and 60 – 62. Relay 4 can also be programmed with MOD14 – 16. Further explanations: → "10.3 Explanations of the relay modes:" on page 43	MOD1 – MOD13 MOD17 – MOD19 MOD21 – MOD46 MOD49 MOD60 – MOD62	MOD6
RELAY 2	MOD1: (Red traffic light inside 1) forewarning - flashing, door running - illuminated MOD2: (Red traffic light inside 2) forewarning - flashing, door running - flashing MOD3: (Red traffic light inside 3) forewarning - illuminated, door running - illuminated MOD4: Pulse signal with UP command from inside MOD5: Fault message MOD6: UP limit position MOD7: DOWN limit position MOD8: UP limit position negated MOD9: DOWN limit position negated	MOD1 – MOD13 MOD17 – MOD19 MOD21 – MOD46 MOD49 MOD60 – MOD62	MOD7
RELAY 3	MOD10: Intermediate position UP MOD11: Intermediate position DOWN MOD12: Intermediate position DOWN to end position DOWN MOD13: Magnetic lock function MOD14: Brake (closed-circuit current principle) MOD15: Brake (open-circuit current principle) MOD16: Brake (closed-circuit current principle) applied in UP end position MOD17: SKS actuated or test error	MOD1 – MOD13 MOD17 – MOD19 MOD21 – MOD46 MOD49 MOD60 – MOD62	MOD1
RELAY 4	MOD18: (Red traffic light 4) forewarning - flashing, door running - off MOD19: Intermediate position UP to end position UP MOD21: Test of the trap-in protection before opening (additional module required) MOD22: Activation of transmission system radio 1 and 3, or testing light grid (Green traffic light) limit position UP - illuminated, forewarning - OFF, door running - OFF* MOD24: Capacitor switching for sectional door drives 230V/1~ MOD25: Courtyard light function, 2 minutes illuminated after UP/pulse - command MOD26: Activation of transmission system radio 2 MOD27: Pulse signal after reaching UP end position MOD28: Relay general OFF MOD29: Door drives open MOD30: Door drives closed MOD31: Service, continuous signal after reaching the set service interval MOD32: Battery operation MOD33: No battery operation MOD34: BMA signal (fire alarm signal active) MOD35: Light barrier in function MOD36: Locking cylinder slip door	MOD1 – MOD19 MOD21 – MOD46 MOD49 MOD60 – MOD62	MOD43

Function	Description	Adjustment options	Factory setting
	<p>MOD37: Testing stop signal transmission system radio 1 and 3</p> <p>MOD38: Testing light grid 2 (input 2)</p> <p>MOD39: Error LED</p> <p>MOD40: Pulse signal with UP command from outside</p> <p>MOD41: Test transmission system radio 4 in UP direction</p> <p>MOD43: Drive moving</p> <p>MOD44: (Red traffic light inside + outside) DOWN door movement from intermediate position DOWN - flashing UP door movement - off</p> <p>MOD45: Closing edge in function</p> <p>MOD46: Controller in operating mode ADJUSTMENT</p> <p>MOD49: Testing presence and movement sensors (NC)</p> <p>MOD60: (Red traffic light outside 1) forewarning - flashing, door running - illuminated</p> <p>MOD61: (Red traffic light outside 2) forewarning - flashing, door running - flashing</p> <p>MOD62: (Green traffic light outside) limit position UP - illuminated, forewarning/door running - off</p>		
TL REST	<p>Switch traffic lights</p> <p>MOD1: off in standby position</p> <p>MOD2: on in standby position</p> <p>MOD3: off after 5 minutes when in standby position</p>	MOD1 – MOD3	MOD1
SKS	<p>MOD1: OSE (photo sensor)</p> <p>MOD2: 8.2kΩ (electric contact strip)</p> <p>MOD3: DW (pressure wave strip) as NC with testing</p> <p>MOD4: Light grid OSE without testing</p> <p>MOD5: Light grid SSR or PNP with testing</p> <p>MOD6: Light grid SSR or PNP without testing</p> <p>MOD7: 2-wire OSE (photo sensor with 2 connection wires)</p> <p>NOTE: MOD4, MOD5 and MOD6 must be set manually when using a light grid. – Without addition of the open time (if programmed) after interruption of the light grid during the automatic closing. – Without switch-off of the function "Automatic closing" after 3 interruptions in succession.</p>	A (teaching) MOD1 – MOD7	A
DW TEST	<p>Activation and deactivation of the test function for the connected pressure wave strip. Only appears when setting parameter SKS = MOD3.</p> <p>MOD1: Test OFF</p> <p>MOD2: Test ON</p>	MOD1 – MOD2	MOD2
DW-POINT	<p>Point at which the connected pressure wave strip (X4 / 5+6) is tested. Only appears when setting parameter SKS = MOD3. Setting in increments (only AWG), starting from bottom limit switch-off point. In the case of systems with mechanical limit switches, the supplementary limit switch DOWN serves as a DW-Point.</p>	0 – 1000	20
SKS FUNC.	<p>MOD1: Stop + reversing</p> <p>MOD2: Stop + rev for 2 seconds</p>	MOD1 – MOD2	MOD1
SKS REV	<p>MOD1: Stop + reversing between limit position UP and reversing point Stop between reversing point and limit position DOWN → for vertically closing doors</p> <p>MOD2: Stop + reversing between limit position UP reversing point No action between reversing point and limit position DOWN → for vertically closing doors with leading light barrier</p> <p>MOD3: Stop + reversing between limit position UP and limit position DOWN → for horizontally closing doors and systems with mechanical limit switches without pre-limit switch</p> <p>NOTE: In the case of systems with mechanical limit switches the supplementary limit switch DOWN serves as reversing point.</p>	MOD1 – MOD3	MOD1

Functional overviews

Function	Description	Adjustment options	Factory setting																														
REVERSE OFF	Reversing point. Point at which the reversing of the door is switched off. Only appears with systems with an electronic limit position system (AWG). Setting in increments, starting from bottom limit switch-off point. In the case of systems with mechanical limit switches, the supplementary limit switch DOWN serves as reversing point.	A (teaching) 1 – 1000	50																														
LIGHT BARR. 1	Light barrier 1, with or without testing, mounted in passage area of the door. Connection to X4 / 1-4. The respective system connected is automatically detected and taught. → Wiring diagrams "5.10 Connection of closing edge protective device 1" on page 15 MOD1: 2-wire-system (MFZ) with testing MOD2: 3-wire-system NPN without testing MOD3: 3-wire-system PNP without testing MOD4: 4-wire-system NC contact without testing MOD4: 3-wire-system NPN with testing MOD5: 3-wire-system PNP with testing MOD5: 4-wire-system NC contact with testing NOTE: If a 3- or 4-wire-system is operated with testing, the respective MOD (4 or 5) must be set manually.	A (teaching) MOD1 – MOD5	A																														
LB FUNC. 1	Function of the light barrier 1 in passage area of the door. <table border="0"> <thead> <tr> <th></th> <th>DOWN door movement</th> <th>UP door movement</th> </tr> </thead> <tbody> <tr> <td>MOD1:</td> <td>Stop + reversing</td> <td>No action</td> </tr> <tr> <td>MOD2:</td> <td>Stop + rev</td> <td>No action</td> </tr> <tr> <td>MOD3:</td> <td>STOP</td> <td>No action</td> </tr> <tr> <td>MOD4:</td> <td>STOP</td> <td>STOP</td> </tr> <tr> <td>MOD5:</td> <td>Stop + reversing</td> <td>Ride-along suppression (UP door movement only possible if the light barrier is clear).</td> </tr> <tr> <td>MOD6:</td> <td>No action</td> <td>Stop + reversing</td> </tr> <tr> <td>MOD7:</td> <td>No action</td> <td>Stop + rev</td> </tr> <tr> <td>MOD8:</td> <td>No action</td> <td>Stop</td> </tr> <tr> <td>MOD9:</td> <td>Ride-along suppression (DOWN door movement only possible, if the light barrier is clear).</td> <td>Stop + reversing</td> </tr> </tbody> </table>		DOWN door movement	UP door movement	MOD1:	Stop + reversing	No action	MOD2:	Stop + rev	No action	MOD3:	STOP	No action	MOD4:	STOP	STOP	MOD5:	Stop + reversing	Ride-along suppression (UP door movement only possible if the light barrier is clear).	MOD6:	No action	Stop + reversing	MOD7:	No action	Stop + rev	MOD8:	No action	Stop	MOD9:	Ride-along suppression (DOWN door movement only possible, if the light barrier is clear).	Stop + reversing	MOD1 – MOD9	MOD1
	DOWN door movement	UP door movement																															
MOD1:	Stop + reversing	No action																															
MOD2:	Stop + rev	No action																															
MOD3:	STOP	No action																															
MOD4:	STOP	STOP																															
MOD5:	Stop + reversing	Ride-along suppression (UP door movement only possible if the light barrier is clear).																															
MOD6:	No action	Stop + reversing																															
MOD7:	No action	Stop + rev																															
MOD8:	No action	Stop																															
MOD9:	Ride-along suppression (DOWN door movement only possible, if the light barrier is clear).	Stop + reversing																															
LB FUNC. 2	Function of the light barrier 2 in passage area of the door. Only appears when setting parameter INPUT 1 = MOD15. Connection only as NC contact via programmable input 1 (X4 / 9+10). Selection mode analogous to the settings under LB FUNC. 1	MOD1 – MOD9	MOD1																														
LB POINT	Between limit position DOWN and LB POINT, the light barrier 1 (X4 / 1-4) is not evaluated. Setting in increments, starting from bottom limit switch-off point. Only appears with systems with an electronic limit switch. Note: At the first approach during adjustment, this point is automatically detected, provided that light barrier 1 is mounted in the door frame and remains interrupted during the downward travel from this point to the limit position DOWN.	A (teaching) 1 – UP SWITCH	A																														
IMPULS	Selection of a function that should be assigned to the impuls button (X3 / 7+8). MOD1: UP - STOP - DOWN - STOP - UP ... (sequential control) MOD2: UP when door is stationary / no action during UP movement Stop and run open with DOWN movement MOD3: UP when door is stationary / STOP with door movement MOD4: UP when door is stationary / no action with door movement MOD5: UP when door is stationary / DOWN from UP limit position	MOD1 – MOD5	MOD1																														

Function	Description	Adjustment options	Factory setting
INPUT 1	<p>Selection of a function that should be assigned to input 1 (X4 / 9+10).</p> <p>MOD1: Button Sect. UP NO MOD2: Switch Sect. UP NO MOD3: Switch auto CL. NO MOD4: External CLOCK (permanent UP) NO MOD5: Switch BMA 3 (Sect. opening) NO MOD6: Switch BMA 1 (emergency closing) NO MOD7: Switch BMA 1 (emergency closing) NC MOD8: Switch BMA 2 (emergency opening) NO MOD9: Switch BMA 2 (emergency opening) NC MOD10: Button ventilation function (Sect. opening) NO MOD11: Button automatic closing. NO MOD12: Laser scanner (height detection) NO MOD13: Switch BMA 3 (Sect. opening) NC MOD14: Slip door locking NO MOD15: Light barrier 2 NC MOD16: Forewarning switch NO MOD17: Impuls button NO MOD18: Crash sensor NC MOD19: Lock operation commands via LCD monitor NC MOD22: Monitoring an external load contactor NO MOD30: UP switch inside NO MOD31: UP switch outside NO MOD32: DOWN switch NO (only active with functioning closing edge protective device and functioning light barrier 1. No function in dead-man's operation.)</p>	<p>MOD1 – MOD19 MOD22 MOD30 – MOD32</p>	<p>MOD1</p>
INPUT 2	<p>Selection of a function that should be assigned to input 2 (X4 / 11+12).</p> <p>OFF: NOT active MOD2: Slip door switch - STOP with deviation. 8.2 kΩ MOD3: Switching strip – active in UP direction. 8.2 kΩ Stops and reverses with actuation MOD4: Switching strip – active in UP direction. 8.2 kΩ Stop and rev with actuation MOD5: Battery operation NO MOD6: Radar movement detector (height detection) NO MOD7: Light grid 2 (SSR / PNP) with testing NC MOD8: Safety switching with resistance evaluation xx Ω MOD9: Safety element - STOP with deviation OSE MOD10: Switching strip – active in UP direction OSE Stops and reverses with actuation MOD11: Switching strip – active in UP direction OSE Stop and rev (2 sec.) with actuation MOD12: Light grid 2 without testing OSE</p> <p>With first commissioning and after a reset, input 2 is set to A - self-teaching once. If a resistance value is detected, MOD8 (safety input 5.14) is automatically set and the measured value is stored and monitored as a reference for the connected safety-related components. A single switching strip 8.2 kOhm (MOD 3/4) must be manually activated. If no connected component is detected during initial commissioning or after a reset, the input is automatically deactivated. OFF appears in the display and the input must be manually activated.</p>	<p>A (teaching) OFF MOD2 – MOD12</p>	<p>A</p>

Functional overviews

Function	Description	Adjustment options	Factory setting
INPUT 3	<p>Selection of a function that should be assigned to input 3 (X10/1-3).</p> <p>OFF: Not active MOD4: Week timer MOD21: Brake actuation monitoring MOD22: (analogous to input 1/MOD22)</p> <p>NOTE: If MOD14 - 16 is set at relay 4, MOD 21 (brake monitoring) is automatically set at input 3. This setting cannot be changed if the brake mode is active.</p>	<p>OFF MOD4 / MOD21/ MOD22</p>	MOD4
SKS3	<p>Setting for channel 1 of the pluggable signal transmission system (X20).</p> <p>OFF: Not active MOD2: Activates as closing edge protection in DOWN direction. MOD3: Activates as closing edge protection in UP direction. MOD4: Activates as safety device (internal safety circuit)</p> <p>If the pluggable component of the signal transmission system is plugged into X20, the controller recognises this (only during initial commissioning or after a reset) and the parameter is automatically set to MOD4.</p>	<p>A - (teaching) OFF MOD2 – MOD4</p>	A
SKS4	<p>Setting for channel 2 of the pluggable signal transmission system (X20). Selection mode analogous to the settings under SKS 3.</p>	<p>A - (teaching) OFF MOD2 – MOD4</p>	A
RUNNING-TIME	<p>Monitoring the maximum running time of an UP or DOWN movement. During the teach-in run, the runtime of the door is learned automatically. If the deviation is 20% (in both directions), a runtime error appears. After automatic teach-in, the runtime can be changed manually.</p>	<p>A (teaching) OFF 1 – 300 seconds</p>	A
REVERS.TIME	<p>Motor standstill time with each direct change of direction. The reversal time when the safety edge is activated during the closing movement is one quarter of the set time.</p>	<p>100 – 5000 milliseconds</p>	300
LIMIT SW.	<p>Selection of the limit position system to be evaluated.</p> <p>MOD1: Absolute value encoder (AWG) MOD2: Mechanical limit switches (MEC) MOD4: only for frequency converter operation MOD5: Absolute value encoder (AWG) + mechanical limit switch DOWN (NC) with standard installation MOD6: Absolute value encoder (AWG) + mechanical limit switch DOWN (NC) with special installation with left rotating field</p> <p>MOD 5+6 (optional): Here an additional external mechanical limit switch is set to query the lower end point in order to compensate for tolerances caused by the door mechanism and/or the door curtain. As soon as the mechanical limit switch is actuated, the lower end position is considered reached, regardless of the information from the absolute encoder.</p>	<p>A (teaching) MOD1 – MOD2 MOD4 – MOD6</p>	A

Function	Description	Adjustment options	Factory setting
SELF LOCK	<p>Selection between pulse operation and manual operation (dead man) with or without evaluation of closing edge safety device (SKS) and light barrier system (LB).</p> <p>MOD1: Pulse operation for OPEN + CLOSE with SKS and LB With defective safety equipment, switch over to manual operation.</p> <p>MOD2: Manual operation for OPEN + CLOSE with SKS and LB</p> <p>MOD3: Manual operation for CLOSE, pulse operation for OPEN, with SKS and LB</p> <p>MOD4: Manual operation for OPEN, pulse operation for CLOSE, with SKS and LB</p> <p>MOD5: Manual operation for OPEN + CLOSE without SKS and LB</p> <p>MOD6: Manual operation for CLOSE, pulse operation for OPEN, without SKS and LB</p> <p>MOD7: Manual operation for OPEN + CLOSE with SKS and LB STOP upon reaching the intermediate position CLOSE. By pressing the button again, continued travel to end position CLOSED is possible.</p> <p>MOD8: Pulse operation for OPEN + CLOSE with SKS and LB With defective safety equipment, switch over to manual operation only via circuit board button</p> <p>MOD9: Manual operation for OPEN + CLOSE with SKS and LB With defective safety equipment, operation only via circuit board button.</p>	MOD1 – MOD9	MOD1
POWER	<p>Automatic power monitoring (Monitoring of the rotational speed) Fault message in the event of the door being difficult to move or blocked. Adjustment of the sensitivity for OPEN direction. A value for the force (rotational speed) will be displayed during opening. With the power monitoring active, the value must be set to a lower value than the lowest value shown during the door travel. The greater the difference to the lowest displayed value, the less sensitive the reaction of the power monitoring. The power monitoring is only activated if the numeric value is set.</p>	OFF 1 – 999	10
RESET MSBUS	<p>All assigned MSBUS addresses are reset. After a controller restart, re-addressing of all connected MSBUS devices takes place. → For detailed information refer to the manual for the MSBUS device.</p>	ON OFF	OFF
RESTART	<p>With activation of the function, the controller is restarted.</p>	ON OFF	OFF
FACTORY SET.	<p>Selection of the parameter set that should be reset with a RESET.</p> <p>MOD5: MFZ S → Drives in dead man operation</p> <p>MOD6: MFZ FU → Drive series MDF-U (integrated UPS)</p> <p>MOD7: MFZ S → Drive series STAW with increased switch-on duration</p> <p>MOD8: MFZ FU → Drive series MTZ 05 (230V)</p> <p>MOD9: MFZ FU → Drive series STA</p> <p>MOD14: MFZ FU → Drive series MTZ 05 (400V)</p> <p>MOD28: MFZ S → MFZ mains operation with brake actuation.</p> <p>MOD31: MFZ S → Dead-mans function, not resettable</p> <p>MOD32: MFZ DUO → DUO-system, 2 drives</p> <p>MOD98: MFZ S → Standard with brake monitoring (relay 4 / MOD14)</p> <p>MOD99: MFZ S → Standard</p> <p>MOD10 – MOD13 / MOD 15 – MOD97: Customer-specific parameter sets</p>	MOD5 – MOD99	MOD99
RESET	<p>Reset control parameters to the pre-selected factory settings.</p> <p>MOD1: Part reset 1 (everything apart from frequency converter settings)</p> <p>MOD2: Part reset 2 (everything apart from limit positions / known limit position system)</p> <p>MOD3: Complete reset (everything is reset to factory settings)</p>	OFF, MOD1 – MOD3	OFF

Functional overviews

Function	Description	Adjustment options	Factory setting
PIN no. 2	Input and selection of a PIN code for programming a service interval. After inputting the PIN code, the second programming level opens. Afterwards, a service interval can be entered via the SERVICE parameter. Input level 2 disappears again after the voltage is switched off, or automatically after 10 minutes. A change to the PIN code can only take place in the second programming level.	0 – 9999	1111
SERVICE	OFF: Service display not active Setting a service interval. After the set load cycles are complete, a service message is issued (LED / LCD). If a relay output is programmed with MOD31, the respective relay (continuous signal) switches. Only appears after activation of input level 2 via parameter PIN no. 2.	OFF 0 – 99950	OFF
INVERTER	Activates or deactivates a connected frequency converter. By connecting a frequency converter to interface X18 the controller becomes an CS 320 FU. → For detailed information refer to the manual for the CS 320 FU. MOD1: Operation without frequency converter MOD2: Operation with frequency converter MOD3: Operation with frequency converter (effective ramp times)	MOD1 – MOD3	MOD1
EXPERT MENU	Activation and deactivation of the expert setting. With the factory setting OFF, only a limited selection of parameters appears in the INPUT. If this parameter is set to ON, it is possible to call up and set all input menu parameters. OFF: Limited number of parameter settings: – Menu language – INT POS UP – OPEN TIME – FOREWARNING TIME – FAST CLOSE – REVERSE OFF – INPUT 1 – SELF LOCK – EXPERT MENU ON: Access to all parameters as listed in chapter 10.2.	ON – OFF	OFF

10.3 Explanations of the relay modes:

A. Traffic light functions

MOD	Description	CLOSED limit position	OPEN limit position	Forewarning	Door movement
MOD1	Red traffic light inside 1	ON / OFF ¹	OFF ²	Flashing	Illuminated
MOD2	Red traffic light inside 2	ON / OFF ¹	OFF ²	Flashing	Flashing
MOD3	Red traffic light inside 3	ON / OFF ¹	OFF ²	Illuminated	Illuminated
MOD18	Red traffic light inside 4	OFF	OFF	Flashing	OFF
MOD23	Green traffic light inside	OFF	Illuminated ²	OFF	OFF
MOD44	Red traffic light inside + outside	OFF	OFF	OFF	Flashing ³
MOD60	Red traffic light outside 1	ON / OFF ¹	OFF ²	Flashing	Illuminated
MOD61	Red traffic light outside 2	ON / OFF ¹	OFF ²	Flashing	Flashing
MOD62	Green traffic light ⁴	OFF	Illuminated ²	OFF	OFF

¹ depending on the parameter TL REST

² With active two-way control: Depending on the UP command inside or outside

³ from intermediate position DOWN to DOWN, also after stop command. Only in CLOSE direction.

B. Position messages

MOD	Description	Remarks
MOD6	UP limit position	The relay closes the contact when the door is in the OPEN limit position.
MOD7	DOWN limit position	The relay closes the contact when the door is in the CLOSED limit position.
MOD8	Not OPEN limit position	The relay closes the contact when the door is not in the OPEN limit position.
MOD9	Not CLOSED limit position	The relay closes the contact when the door is not in the CLOSED limit position.
MOD10	Intermediate OPEN position (Sect. OPEN)	The relay closes the contact when the door is in the intermediate OPEN position (Sect. OPEN).
MOD11	Intermediate CLOSED position (Sect. CLOSED)	The relay closes the contact when the door is in the intermediate CLOSED position (Sect. CLOSED).
MOD12	Intermediate CLOSED position to CLOSED limit position	The relay closes the contact when the door is in the range between the CLOSED limit position and the intermediate CLOSED position (Sect. CLOSED).
MOD19	Intermediate OPEN position to OPEN limit position	The relay closes the contact when the door is in the range between the OPEN limit position and the intermediate OPEN position (Sect. OPEN).

Functional overviews

C. Pulse signals

MOD	Description	Remarks
MOD4	Pulse with OPEN command from inside	The relay closes the contact for 1 second if the door receives an OPEN command from inside. It is possible to realise light actuation with this pulse for example.
MOD27	Pulse after reaching the OPEN limit position	The relay closes the contact for 2 seconds if the door reaches the OPEN limit position. It is possible to open a downstream cabinet with this pulse for example.
MOD 40	Pulse with OPEN command from outside	The relay closes the contact for 1 second if the door receives an OPEN command from outside. It is possible to realise light actuation with this pulse for example.

D. Brake functions (can only be set at relay 4)

MOD	Description	Remarks
MOD14	Brake (closed-circuit current principle)	The switching contact of the brake rectifier is controlled via the relay in order to implement a faster braking function. As soon as the door moves, the contact is closed and the brake is vented (closed-circuit current principle).
MOD15	Brake (open-circuit current principle)	The switching contact of the brake rectifier is controlled via the relay in order to implement a faster braking function. As soon as the door moves, the contact is opened and the brake is vented (open-circuit current principle).
MOD16	Brake (closed-circuit current principle) applied in OPEN limit position	The switching contact of the brake rectifier is controlled via the relay in order to implement a faster braking function. As soon as the door moves, the contact is closed and the brake is vented (closed-circuit current principle). To achieve a smoother stopping behaviour of the door in the top limit position, the switching contact is not switched in the OPEN LIMIT POSITION.

E. Error messages

MOD	Description	Remarks
MOD5	Fault message	The relay opens the contact if a STOP command or an error is present. All errors of chapter 10 lead to relay actuation.
MOD17	Closing edge protective device SKS 1-4 actuated	Monitoring SKS1 (X4/5-8) , SKS2 (X4/11-12) and SKS3/SKS4 (transmission system). The relay opens the contact if one of the closing edge protective devices SKS 1-4 is actuated. An error with one of the closing edge protective devices or a faulty test is displayed via MOD5.
MOD35	Light barrier	Analogous to the light barrier input X4 (3/4), switches the applied signal on as a message. Relay ON: Light barrier signal is OK Relay OFF: Light beam interrupted or light barrier defective
MOD39	Error LED	The relay always closes the contact if the internal error LED 2 (red) lights up.
MOD45	Closing edge protective devices SKS 1-4 OK	Monitoring SKS1 (X4/5-8) , SKS2 (X4/11-12) and SKS3/SKS4 (transmission system) Relay ON: All closing edge protective devices are OK Relay OFF: At least one closing edge protective device is actuated or defective

F. Movement signal

MOD	Description	Remarks
MOD29	Door drives open.	Active with movement in the OPEN direction.
MOD30	Door drives closed.	Active with movement in the CLOSE direction.
MOD43	Door drives open or closed.	Active with all movement. The brake monitoring module BWM 1 is not active with this setting!

G. Functions for external accessories

MOD	Description	Remarks
MOD13	Magnetic lock function	The relay closes before every door movement. The relay is opened in the standby position. A delay time of 0.5 seconds is set before every door movement.
MOD21	Test of the trap-in protection	The relay generates a test signal upon reaching the CLOSED limit position and awaits actuation of the STOP circuit as a response to the test signal.
MOD22	Activation of transmission system radio 1 and radio 4, test of light grid 1	The relay generates a test signal upon reaching the OPEN limit position and awaits actuation of the switching strip input as a response to the test signal.
MOD24	Capacitor switching	With every operation command, the relay is closed for approx. 1 second. This relay is used to add an additional start capacitor required for alternating current applications to ensure safe starting of the motor. For series STAW with increased switch-on duration.
MOD25	Courtyard light function	With each OPEN command, the relay is closed for 2 minutes and can therefore be used to control a lighting system.
MOD26	Activation of transmission system radio 2 and radio 4	Before every DOWN command, the transmission system radio is activated with a pulse. The duration of activation must be set on the transmission system. As a result of this activation, travel is delayed by approx. 0.5 seconds.
MOD28	Relay OFF	The relay is switched off as a general rule, the contact is always open.
MOD36	Pneumatic cylinder for locking the slip door (threshold-free door system)	With every OPEN command the relay is activated and controls a pneumatic cylinder that mechanically locks the slip door of the door. The locking position of the cylinder is queried via a limit switch. Only after this limit switch is released does the door start to move. The relay remains active until the lower end point is reached again.
MOD37	Testing the stop signal via transmission system radio 1 and radio 3	The relay generates a test signal upon reaching the OPEN limit position and awaits an interruption of the stop circuit as a response to the test signal.
MOD38	Test of light grid 2 (8.2 kΩ), connection via input 2 (X4 / 11+12)	The relay generates a test signal upon reaching the OPEN limit position and awaits an interruption at input 2 as a response to the test signal.
MOD 41	Activation transmission system radio 4 in OPEN direction	The relay generates a test signal upon reaching the CLOSED limit position and awaits an interruption at input 2 as a response to the test signal.
MOD49	Testing presence and movement sensors (NC)	The relay generates a test signal each time before closing travel and awaits an interruption of the closing edge input as a response to the test signal.

Functional overviews

H. Input-dependent messages

MOD	Description	Remarks
MOD32	Battery operation	Active with battery operation. Input 2 is bridged (setting MOD5).
MOD33	no battery operation	Active with mains operation. Input 2 is open (setting MOD5). When programmed with MOD32/33, the relays operate as delayed changeover contacts and follow the signal at input 2 when MOD5 is set. In this case, input 2 is fed with a control signal from the UPS system, which ensures the changeover between mains supply and UPS supply.
MOD34	BMA signal	Switches with an active fire alarm system. Follows the signal at input 1 with setting MOD5-9 / 13. In this case, input 1 is fed with a control signal from the fire alarm system and, depending on the setting, the door opens or closes to an end or intermediate position.

I. System messages

MOD	Description	Remarks
MOD31	Service	The relay is active after reaching the programmed service interval. Only after the service interval is reset or redefined does the relay drop out again. → "10.2 Input operating mode" on page 35
MOD46	ADJUSTMENT operating mode	The relay is active if the control is in the ADJUSTMENT operating mode.

10.4 Explanations of the inputs:

A. Functions input 1

MOD	Description	Remarks
MOD1	SECT. OPEN button	By pressing the button (input 1), the door opens to the intermediate OPEN position (SECT. OPEN).
MOD2	SECT. OPEN switch	Closed: All OPEN commands lead to intermediate OPEN position (SECT. OPEN). Open: All OPEN commands lead to the OPEN limit position.
MOD3	AUT.CLOSE switch	Closed: No automatic closing. (Open time stops, if open time > 0). Open: Automatic closing is active (if open time > 0).
MOD4	External CLOCK (permanent OPEN)	The door opens as soon as the contact closes and remains in the OPEN position (maintain open time) until the contact opens. Then the door drives closed automatically (only with open time > 0). This function can be cancelled by actuating the CLOSE button. The door drives CLOSED.

MOD	Description	Remarks
MOD5	Switch BMA 3 (Sect. opening) NO	Control function with an active fire alarm system. Open: Normal function. Closed: Sect. opening of the door. The intermediate OPEN position (Sect. OPEN) is approached from both directions, irrespective of the current door position. BUTTON: No function. LB / SKS: Door stops and moves clear (only in CLOSE direction), after 5 seconds renewed closing. STOP: Interruption of the emergency closing for the duration of activation.
MOD6	Switch BMA 1 (emergency closing) NO	Control function with an active fire alarm system. Open: Normal function. Closed: Emergency closing of the door. BUTTON: No function. LB / SKS: Door stops and moves clear, after 5 seconds renewed emergency closing. STOP: Interruption of the emergency closing for the duration of activation.
MOD7	Switch BMA 1 (emergency closing) NC	Control function with an active fire alarm system. Closed: Normal function. Open: Emergency closing of the door. BUTTON: No function. LB / SKS: Door stops and moves clear, after 5 seconds renewed emergency closing. STOP: Interruption of the emergency closing for the duration of activation.
MOD8	Switch BMA 2 (emergency opening) NO	Control function with an active fire alarm system. Open: Normal function. Closed: Emergency opening of the door. BUTTON: No function. LB / SKS: No function. STOP: Interruption of the emergency opening for the duration of activation. No automatic closing after deactivation of the BMA signal.
MOD9	Switch BMA 2 (emergency opening) NC	Control function with an active fire alarm system. Closed: Normal function. Open: Emergency opening of the door. BUTTON: No function. LB / SKS: No function. STOP: Interruption of the emergency opening for the duration of activation. No automatic closing after deactivation of the BMA signal.
MOD10	Button ventilation function NO	Sect. opening of the door. By pressing an additional button at input 1, the intermediate CLOSED position (Sect. CLOSED) is approached from both directions, independent of the current door position.
MOD11	"Automatic closing" button	1. Actuation: No automatic closing, open time is stopped. 2. Actuation: Automatic closing is active again if open time > 0. 3. Actuation: No automatic closing, open time is stopped. ...
MOD12	Laser scanner (height detection)	Only in conjunction with input 2 (MOD6). → See explanations for input 2

Functional overviews

MOD	Description	Remarks
MOD13	Switch BMA 3 (Sect. opening) NC	Control function with an active fire alarm system. Closed: Normal function. Open: Sect. opening of the door. The intermediate OPEN position (SECT. OPEN) is approached from both directions, irrespective of the current door position. BUTTON: no function. LB / SKS: Door stops and moves clear (only in CLOSE direction), after 5 seconds renewed closing. STOP: Interruption of the emergency closing for the duration of activation.
MOD14	Slip door locking	Monitoring limit switch for the pneumatic locking system of slip doors. The limit switch must have confirmed the correct locking within 10 seconds after an OPEN command, otherwise an error message is issued and the door stops. This function acts on relay mode 36.
MOD15	Light barrier 2 NC	If a second light barrier is connected in the passage area of the door, this system can be programmed via the parameter LB FUNC 2 in the INPUT. Only connection of light barriers with potential-free NC contact.
MOD16	Forewarning switch	Closed: Start-up warning and forewarning are inactive (even if both times > 0). Open: Start-up warning and forewarning are active (only if both times > 0). → "10.2 Input operating mode"
MOD17	Impuls button outside	Pressing the button moves or stops the door. – Function and direction of the movement depend on the IMPULS parameter setting in the input menu. → "10.2 Input operating mode" / IMPULS parameter – With active two-way control, this pulse command is treated as an external signal.
MOD18	Crash sensor NC	Query of a crash sensor as NC contact. If the crash sensor was actuated once, only renewed door travel is possible. – after pressing and holding the STOP button for more than 5 seconds, or – switching the supply voltage off and back on.
MOD19	Switch block operation commands NC	Closed: no restrictions. Open: It is no longer possible to use the (+) and (-) buttons on the LCD monitor and the motherboard to issue operation commands in AUTOMATIC mode.
MOD22	Monitoring an external load contactor	In a control version with external load contactor (motor power > 2.2kW / 8A) the auxiliary contacts of the load contactor (NO) are connected and monitored here.
MOD30	UP switch inside	Pressing the button opens the door to the UP limit position. The internal traffic light switches to green.
MOD31	UP switch outside	Pressing the button opens the door to the UP limit position. The external traffic light switches to green.
MOD32	DOWN switch	Pressing the button closes the door to the DOWN limit position. Only active with functioning closing edge protective device and functioning light barrier 1. No function in dead-man's operation.

B. Functions input 2

MOD	Description	Remarks
OFF		Not active.
MOD2	Slip door switch (8.2 kΩ)	STOP the system with actuation.
MOD3	Switching strip OPEN (8.2 kΩ)	Switching strip active in OPEN direction. Stop and reversing to the CLOSED limit position upon actuation of the switching strip.
MOD4	Switching strip OPEN (8.2 kΩ)	Switching strip active in OPEN direction. Stop and close for 2 seconds (rev) with actuation of the switching strip.
MOD5	Battery operation (MDFU-special) NO	Active with supply via battery. Relay switching MOD32 / MOD33.
MOD6	Radar movement detector (Height detection) NO	The function is coupled with input 1 (MOD12 – laser scanner). The upstream laser scanner detects the height of the vehicle. The connected radar motion detector generates an OPEN command when activated. <ul style="list-style-type: none"> – A tall vehicle (HGV) is detected by the laser scanner. The laser scanner switches input 1 (MOD12) to ON. The radar motion detector detects the vehicle and triggers the door movement. The door is moved to the OPEN limit position. – A low vehicle (car) is detected by the laser scanner. The laser scanner switches input 1 (MOD12) to OFF. The radar motion detector detects the vehicle and triggers the door movement. The door is moved to the intermediate OPEN position (SECT. OPEN). All other OPEN commands (via X3, X7, X9, X13) always move the door to the OPEN limit position. The function of input 1 (MOD12) is then irrelevant.
MOD7	Light grid 2 (SSR / PNP) with testing	Behaves like light grid 1 (SKS MOD 4 – 6). <ul style="list-style-type: none"> – Light grid active in CLOSE direction. – Stops and reverses with actuation of the light grid. Form of reversing (reverse / rev) is accepted.
MOD8	Safety switching with resistance evaluation	With first commissioning and after a reset, input 2 is set to A (self-teaching) once. If a resistance value is detected, MOD8 is automatically set and the measured value is stored and monitored as a reference for the connected safety-related components. → "5.14 Safety input per EN 12453" on page 20 Deviation of the measured value leads to an error message. If a safety element is subsequently added or removed, the resistance measurement must be performed again. For this purpose the parameter INPUT 2 must be manually reset to A (self-teaching) and the supply voltage must be switched off and on again. Renewed measurement then takes place. If no connected component is detected during initial commissioning or after a reset, the input is automatically deactivated. OFF appears in the display and the input must be manually activated.
MOD9	Safety element (OSE)	STOP the system with actuation.
MOD10	Switching strip OPEN (OSE)	Switching strip active in OPEN direction. Stop and reversing to the CLOSED limit position upon actuation of the switching strip.
MOD11	Switching strip OPEN (OSE)	Switching strip active in OPEN direction. Stop and close for 2 seconds (rev) with actuation of the switching strip.
MOD12	Light grid 2 (OSE) without testing	Behaves like light grid 1 (SKS MOD 4 – 6). <ul style="list-style-type: none"> – Light grid active in CLOSE direction. – Stops and reverses with actuation of the light grid. Form of reversing (reverse / rev) is accepted.

Functional overviews

10.5 Diagnosis operating mode / error memory



Display	Meaning	Condition
UPPER SWITCH	UP limit position	OFF: Limit position reached. ON: Limit position not reached.
LOWER SWITCH	DOWN limit position	OFF: Limit position reached. ON: Limit position not reached.
UP-SWITCH	Command button / input OPEN	ON: Button is actuated / input is active. OFF: Button not actuated / input not active.
DOWN-SWITCH	Command button / input CLOSE	ON: Button is actuated / input is active. OFF: Button not actuated / input not active.
INPUT 1	Programmable INPUT 1 (X4 / 9 + 10)	ON: Input 1 is active. OFF: Input 1 is not active.
INPUT 2 / SKS OPEN 2 / SAFE. 2 (optionally)	Programmable INPUT 2 (X4 / 11 + 12) Input dependent on MOD selected at the programmable input. INPUT 2 with MOD 5-7 SKS OPEN 2 with MOD 3-4 SAFE. 2 with MOD 2 and MOD8	ON: Input 2 is active. OFF: Input 2 is not active. —: Not activated.
INPUT 3	Programmable INPUT 3 (X10 / 1 – 3)	ON: Input 3 is active. OFF: Input 3 is not active. —: Not activated.
SKS	Closing edge protective device 1 (DW, 8.2kΩ or photo-sensor) or light grid 1 (PNP or photo-sensor) (X4 / 5-8) CLOSE direction	ON: System is closed. OFF: System is interrupted (fault).
SKS 3 / SAFE. 3 (optionally)	Closing edge protective device 3 (8.2kΩ or photo-sensor) Radio transmission system channel 1 OPEN or CLOSE direction Display dependent on MOD selected at parameter SKS 3. SKS 3 with MOD 2-3 SAFE. 3 with MOD 4	ON: System is closed. OFF: System is interrupted (fault). —: Not activated.

Display	Meaning	Condition
SKS 4 / SAFE. 4 (optionally)	Closing edge protective device 4 (8.2kΩ or photo-sensor) Radio transmission system channel 2 OPEN or CLOSE direction Display dependent on MOD selected at parameter SKS 4. SKS 4 with MOD 2-3 SAFE. 4 with MOD 4	ON: System is closed. OFF: System is interrupted (fault). —: Not activated.
IMPULS	Command button / input IMPULS (X3 / 7+8)	ON: Button is actuated / input is active. OFF: Button is not actuated / input is not active.
TIMER	Week timer (pluggable)	ON: Timer is active. OFF: Timer is not active.
LIGHT BARR.	Light barrier 1 (X4 / 1-4)	ON: Light barrier signal is OK. OFF: Light beam interrupted or light barrier defective.
LIGHT BARR. 2	Light barrier 2 Connection at input 1 (X4 / 9+10)	ON: Light barrier signal is OK. OFF: Light beam interrupted or light barrier defective.
SAFETY CIRC.	Safety circuit 1 Emergency stop systems of door system	ON: Safety circuit is closed. OFF: Safety circuit is interrupted.
STOP	Command button STOP (cover keypad)	ON: Button is not actuated. OFF: Button is actuated.
ROT FIELD	Shows the currently set rolling direction of the drive	RIGHT: Setting for a right rotating field. LEFT: Setting for a left rotating field.
CYCLE	Door cycle counter	Display of the door cycles that have run through: 1 x open + 1 x CLOSE = 1 cycle Counting only takes place when the end switch-off points have each been reached.
SERVICE	Service alarm function Setting via parameter SERVICE and PIN no. 2	OFF: Service display not active. 0 – 99999: Service display is active. Display of the remaining door cycles up to the service message.
AWG	Position information of the absolute value encoder	Display of the currently transferred value.
C.STOP	HALT/STOP counter	Shows how often the door was stopped. Either through activation of a safety device, in case of direct direction reversal by a run command or by a direct STOP/HALT command.
C.OPENED	Counter for top limit position	Shows how often the top limit position was approached.
C.O.BTN	Counter for OPEN commands	Number of all incoming OPEN commands through command devices, sensors and safety devices (e. g. light barrier).

Functional overviews

Display	Meaning	Condition
ERROR ... COUNT CYCLE	<p>Controller error memory.</p> <p>The error messages of the controller can be read out here with information about frequency and cycle.</p> <p>Use the [+] and [-] keys on the LCD monitor to scroll through the list of various error messages.</p> <p>→ "11.1 Fault display on the LCD monitor"</p> <p>Deletion of the error memory: Press the buttons [+] and [-] simultaneously for approx. 2 seconds. Each error message must be individually deleted.</p>	<p>The display changes in 2-second intervals between</p> <ul style="list-style-type: none"> – the fault description, – the frequency of occurrence, and – the information on which cycle the fault arose most recently. <p>Only errors that have already occurred appear in the list.</p>

The following messages can be read from the error memory, but are not displayed in the AUTOMATIC operating mode:

Display	Meaning	Condition
POWER ON	Counter for switching the supply voltage off and back on again.	Counts up by actively switching the supply on and off, or with power failures.
ERROR SUPP.VOLT.	Counter for the occurrence of deviations in the supply voltage.	Overvoltage and undervoltage are detected and counted.
RESTART	Restart counter	Display of the restarts executed. Caused by detection of undervoltage, change of the limit position system or after a RESET of the controller.

11. Fault display and remedial measures

11.1 Fault display on the LCD monitor

Fault / message	Cause	Rectification
System does not react.	<ul style="list-style-type: none"> – No voltage present. 	<ul style="list-style-type: none"> – Check power supply for the drive and controller.
Door drives to the CLOSED limit position upon actuation of the OPEN button. Door drives to the OPEN limit position upon actuation of the CLOSE button.	<ul style="list-style-type: none"> – Rotating field has been incorrectly connected. 	<ul style="list-style-type: none"> – Check rotating field and establish right rotating field if necessary.
FAULT – X	<ul style="list-style-type: none"> – internal software or hardware error. 	<ul style="list-style-type: none"> – RESET via circuit board button: → "8.6 RESETTING the controller without LCD monitor"
SAFETY CIRC.	<ul style="list-style-type: none"> – The safety circuit is interrupted. X3 / 1+2 Safety circuit controller EMERGENCY STOP, slack rope switch X6 / 1+2 ON / OFF internal X11 / 4+8 Safety circuit drive AWG X2 / B1+B2 Safety circuit drive MEC X3 / 3+4 Stop button external X7 / 1+2 Stop button internal 	<ul style="list-style-type: none"> – Check safety circuit, locate interruption and eliminate problem.
ERROR STOP	<ul style="list-style-type: none"> – An error has occurred at the safety input (X4/11-12 - MOD8). 	<ul style="list-style-type: none"> – Check all components at the safety input and replace if necessary.
ERROR RUNTIME	<ul style="list-style-type: none"> – The programed running time has been exceeded. 	<ul style="list-style-type: none"> – Check the path of the door and running time. – Re-programme the running time if necessary.
ERROR AWG	<ul style="list-style-type: none"> – Signal transmission between absolute value encoder and controller is interrupted or faulty. 	<ul style="list-style-type: none"> – Check cable and connector and replace if necessary.
TERM SWITCH FAIL	<ul style="list-style-type: none"> – The door is located outside the programmed limit position range. – The limit positions are not yet programmed. 	<ul style="list-style-type: none"> – Reset the door in the programmed range via the emergency operation. – First program the limit positions.
ERROR REVOLUTION	<ul style="list-style-type: none"> – The power monitoring has triggered. 	<ul style="list-style-type: none"> – Check door for mechanical impairments.
ERROR DIRECTION	<ul style="list-style-type: none"> – The present rotating field is not clockwise rotating. 	<ul style="list-style-type: none"> – Check rotating field and change if necessary. → "7.1 Checking the drive / travel direction"
ERROR SKS CLOSE	<ul style="list-style-type: none"> – Closing edge protective device 1 defective in CLOSE direction → (X4 / 5-8). 	<ul style="list-style-type: none"> – Check closing edge protective devices and spiral cable.
ERROR SKS OPEN 2	<ul style="list-style-type: none"> – Closing edge protective device 2 defective in OPEN direction → (X4 / 11+12) input 2. 	<ul style="list-style-type: none"> – Check closing edge protective devices and spiral cable.
ERROR STOP. 2	<ul style="list-style-type: none"> – Safety circuit 2 is interrupted. Slip door switch 8.2 kΩ → (X4 / 11+12) input 2. 	<ul style="list-style-type: none"> – Check slip door switch.
ERROR SKS CLOSE 3	<ul style="list-style-type: none"> – Closing edge protective device 3 defective in CLOSE direction → (X20) Pluggable transmission system RADIO channel 1. 	<ul style="list-style-type: none"> – Check closing edge protective device. – Check transmission system RADIO. – Check setting of parameter SKS 3.

Fault display and remedial measures

Fault / message	Cause	Rectification
ERROR SKS OPEN 3	<ul style="list-style-type: none"> - Closing edge protective device 3 defective in OPEN direction → (X20) Pluggable transmission system RADIO channel 1. 	<ul style="list-style-type: none"> - Check closing edge protective device. - Check transmission system RADIO. - Check setting of parameter SKS 3.
ERROR STOP. 3	<ul style="list-style-type: none"> - Safety circuit 3 is interrupted. → (X20) Pluggable transmission system RADIO channel 1. 	<ul style="list-style-type: none"> - Check safety circuit. - Check transmission system RADIO.
ERROR SKS CLOSE 4	<ul style="list-style-type: none"> - Closing edge protective device 4 defective in CLOSE direction → (X20) Pluggable transmission system RADIO channel 2. 	<ul style="list-style-type: none"> - Check closing edge protective device. - Check transmission system RADIO. - Check setting of parameter SKS 4.
ERROR SKS OPEN 4	<ul style="list-style-type: none"> - Closing edge protective device 4 defective in OPEN direction → (X20) Pluggable transmission system RADIO channel 2. 	<ul style="list-style-type: none"> - Check closing edge protective device. - Check transmission system RADIO. - Check setting of parameter SKS 4.
ERROR STOP. 4	<ul style="list-style-type: none"> - Safety circuit 4 is interrupted. → (X20) Pluggable transmission system RADIO channel 2. 	<ul style="list-style-type: none"> - Check safety circuit. - Check transmission system RADIO.
ERROR SKS-TEST	<ul style="list-style-type: none"> - The test of the connected pressure wave strip was unsuccessful. - The test of the transmission systems RADIO 1 – 4 failed. 	<ul style="list-style-type: none"> - Check DW switch, spiral cable and rubber profile. - Check DW-POINT setting. - Check transmission system RADIO. - Check relay MOD setting for transmission system. → "G. Functions for external accessories" on page 45
ERROR LIGHT BAR.	<ul style="list-style-type: none"> - The connected light barrier exhibits a permanent fault. → (X4 / 1-4) 	<ul style="list-style-type: none"> - Check light barrier (function and alignment). - Check cabling.
ERROR LIGHT BAR. 2	<ul style="list-style-type: none"> - The connected light barrier exhibits a permanent fault. → (X4 / 9+10) input 1 	<ul style="list-style-type: none"> - Check light barrier (function and alignment). - Check cabling.
ERROR LB TEST	<ul style="list-style-type: none"> - The test of the 2-wire light barrier failed. 	<ul style="list-style-type: none"> - Check light barrier (function and alignment). - Check cabling.
ERROR STOP-TEST	<ul style="list-style-type: none"> - The test of the slip door switch (8.2 kΩ) failed. → input 2 	<ul style="list-style-type: none"> - Check slip door switch.
ERROR TRAPIN	<ul style="list-style-type: none"> - The test of the trap-in protection (auxiliary module) failed. → Relay MOD21 	<ul style="list-style-type: none"> - Check light barrier (function and alignment). - Check cabling.
ERROR CYLINDER	<ul style="list-style-type: none"> - The monitoring limit switch of the locking system for threshold-free slip doors has not switched within 10 seconds of the input of an OPEN command. 	<ul style="list-style-type: none"> - Check limit switch of the cylinder.
ERROR MSBUS	<ul style="list-style-type: none"> - The communication between the controller and connected MS-BUS module is interrupted. 	<ul style="list-style-type: none"> - Check cable and connectors and replace if necessary.

Fault / message	Cause	Rectification
ERROR 24 V	– The voltage supply 24V DC (X4/1-2) was switched off due to excessive load from external consumers.	– Reduce the number of connected consumers. – Limit current draw to max. 500 mA through the selection of other components.
ERROR POWERSEGM.	– The load contactor or a relay is defective.	– The circuit board must be replaced.
ERROR BRAKE	– Monitoring module BWM1 has identified a defect at relay 4.	– The circuit board must be replaced.

After rectifying the cause of the fault, with the following faults the controller must be disconnected from the power supply once or restarted (> menu INPUT > parameter RESTART > ON):

- ERROR DIRECTION
- ERROR REVOLUTION
- ERROR RUNTIME
- TERM SWITCH FAIL

11.2 Fault display via LED

LED H1 (green, motherboard)

Fault / message	LED display	Remarks
Operating voltage missing.	Off	No supply voltage available.

LED H2 (red, motherboard)

Fault / message	LED display	Remarks
SAFETY CIRC.	1x flashing	Safety circuit is interrupted. – Check safety circuit, locate interruption and eliminate problem.
ERROR AWG	2x flashing	Signal transmission between absolute value encoder and controller is interrupted or faulty. – Check cable and connector and replace if necessary.
TERM SWITCH FAIL	3x flashing	The system is outside the programmed limit position range or the limit positions are not yet programmed. – First program the limit positions. – Reset door in the programmed range via the emergency operation.
ERROR DIRECTION	4x flashing	The present rotating field is not clockwise rotating. – Check rotating field and change if necessary. → "7.1 Checking the drive / travel direction"
ERROR REVOLUTION	5x flashing	The power monitoring has triggered. – Check door for mechanical impairments.

Fault display and remedial measures

Fault / message	LED display	Remarks
ERROR RUNTIME	6x flashing	The programed running time has been exceeded. <ul style="list-style-type: none"> – Check the path of the door and running time. – Re-programme the running time if necessary.
ERROR MSBUS	9x flashing	Communication error between the controller and connected MS-BUS end device. <ul style="list-style-type: none"> – Check cable and connector and replace if necessary.
SERVICE	10 x flashing	The programmed service interval has been reached. <ul style="list-style-type: none"> – Reset or redefine service interval. → "10.2 Input operating mode" / SERVICE parameter
ERROR POWERSEGM.	11 x flashing	The load contactor or a relay is defective. <ul style="list-style-type: none"> – The circuit board must be replaced.
ERROR STOP	Continuous illumination, travel no longer possible.	<ul style="list-style-type: none"> – An error has occurred at the safety input (X4/11-12 - MOD8). – Check all components at the safety input and replace if necessary.
ERROR SKS	Continuous illumination, travel only in dead man's function.	Closing edge protective device faulty in OPEN or CLOSE direction. <ul style="list-style-type: none"> – Check closing edge protective devices and spiral cable, if nec. check transmission system RADIO.
ERROR LIGHT BAR.	Continuous illumination, Travel in CLOSE direction only in dead man's function.	The connected light barrier exhibits a permanent fault. <ul style="list-style-type: none"> – Check light barrier (function and alignment). – Check cabling.

12. Technical data

12.1 Mechanical and electrical data

Housing dimensions:	215 x 275 x 190 mm
Installation:	Vertically, on the wall; Min. height of 1,100 mm
Supply via	
L1, L2, L3, N, PE:	400V/3~, 50/60Hz 230V/3~, 50/60Hz
L1, N, PE:	230V/1~, 50/60Hz
	Power input max. 2,200W with supply 400V/3~
Fuse protection:	10 A K-characteristic
Controller internal consumption:	max. 750 mA
Control voltage:	24 V DC, max. 500 mA; protected by automatically resetting fuse for external sensors
Controller inputs:	24 V DC, all inputs are to be connected potential-free. Minimum signal duration for input controller command >100 ms.
Controller outputs:	24 V DC, max. 500 mA.
Safety circuit / emergency stop:	All inputs must be connected potential-free; with an interruption of the safety chain, no further electrical movement of the drive is possible, even with dead man's switching.
Safety strip input (protection level C):	Performance Level C, for electrical safety strips with 8.2 kΩ terminal resistance and for dynamically optical systems.
Light barrier (Protection level D):	If the light barrier is used as a protection system according to level D, its function must be checked regularly and within 6 months as a minimum. If this is a self-testing system, this requirement does not apply.
Safety input with resistance evaluation	Performance Level C, cat.2 for safety-related components with 8.2 kΩ terminal resistance
Display (LCD):	Only an original LCD monitor from MFZ may be used. #91447 Standard #121246 MS BUS

Relay outputs:	If inductive loads are to be switched (e.g. Additional relays or brakes), these must be equipped with corresponding interference suppression measures (e.g. Free-wheeling diodes, varistors, RC elements). Work contact potential-free; min. 10 mA; max. 230 V AC / 4A. <i>Contacts that have been used for power switching can no longer be used for switching low currents.</i>
Temperature range:	Operation: -10°C to +45°C Storage: -25°C to +70°C
Humidity:	Up to 80% non-condensing.
Vibrations:	Low-vibration mounting, e. g. on a masonry wall.
Protection grade	IP 65
Weight	approx. 1.8 kg

Technical data

12.2 Category and performance level of the safety function per EN ISO 13849-1

Function	Realisation	MTTF _D Electronics	MTTF _D Total with output contactor	DC _{avg}	Category	Performance Level
Emergency stop	Input terminal X3, X6, X7, X11 Interrupts the power supply to the output relay and main contactor, independent of the CPU. Feedback to the CPU available.	1175 years	191 years	84.7%	3	d
Stop circuit	Input terminal X3, X7 Interrupts the supply to the main contactor. Message to CPU.	1175 years	191 years	-	B	b
End position detection through absolute value encoder	Input terminal X11 For position determination and end position detection. Testing through plausibility check of expected position values to received position values.	1062 years	188 years	83.7%	2	c
End position detection through end position switch	Input terminal X15 Protection through runtime limiting. Inputs are evaluated by the CPU.	1248 years	193 years	63.1%	2	c
Light barrier evaluation	Input terminal X4 Pulse evaluation through CPU. Faults are identified through plausibility evaluation in the CPU. The frequency must lie between 130 Hz and 190 Hz. The function is monitored by switching the supply voltage (T117, IC111) of the light barrier each time before travel and every two minutes when idle. With activation in the CLOSE direction, a stop or reversing of the door takes place.	1000 years	186 years	81.9%	2	c
Evaluation of a pneumatic switching strip	Input terminal X4 Evaluation through CPU. Testing through plausibility evaluation. Switching signal must come shortly before reaching the lower end positions.	1123 years	190 years	85.6%	2	c
Evaluation of single or double 8k2 / single OSE SKS	Input terminal X4 Evaluation through CPU. The function is monitored by switching the supply voltage (IC110, T138) each time before travel.	1123 years	190 years	85.6%	2	c

DC_{AVG} Average diagnostic coverage
MTTF_D Mean time to dangerous failure

13. Service

WARNING!

Life-threatening danger due to electric shock!

- ✎ The control **MUST** be disconnected from the power supply before carrying out any service work on the control unit or door system. Take measures to ensure that the power supply remains disconnected for the duration of the work.

The CS 320 controller is maintenance-free.

The CS 320 controller must be checked at least once yearly.

ATTENTION!

Property damage due to improper checking of the controller!

In order to avoid damage to the controller, drive and door, observe the following points:

- Testing must only be carried out by trained, qualified and authorised persons.
- Worn or faulty parts must be replaced or disposed of correctly.
- Only approved original parts may be installed.
- The test results must be documented in the log book for the door system.

- ✎ Check all electrical cables and the housing for damage. A defective cable must be replaced immediately.

14. Manufacturer's declaration

MFZ Antriebe GmbH & Co.KG
Neue Mühle 4
D - 48739 Legden

Declaration of incorporation

in accordance with the Machinery Directive 2006/42/EC for the incorporation of an incomplete machine per Annex II, Part 1B.

Declaration of conformity

in accordance with the directives:

- Electromagnetic Compatibility 2014/30/EU
- RoHs 2011/65/EU + 2015/863/EU + 2017/2102/EU

We hereby declare that the product cited below

Product designation: **Door control**

Type designation: **CS 320**

is an incomplete machine intended exclusively for incorporation in a door system and has been developed, designed and produced in accordance with the following directives:

- Machinery Directive 2006/42/EC
- Electromagnetic Compatibility Directive 2014/30/EU
- RoHs Directive 2011/65/EU + 2015/863/EU + 2017/2102/EU

Furthermore, it also satisfies the requirements of the Low Voltage Directive 2014/35/EU per Annex I Part 1.5.1 of the Machinery Directive 2006/42/EC.

Applied standards:

- EN 12453:2017 Doors - Safety in use of power operated doors: Requirements and test methods
- EN 12978 Doors and gates - Safety devices for power-operated doors and gates: Requirements and test methods
- EN ISO 13849-1 Safety of machinery - Safety-related parts of control systems - Part 1: General principles for design
- EN 60335-1 Safety of household and similar electrical appliances - Part 1: General requirements

- EN 60335-2-103 Safety of household and similar electrical appliances - Part 2-103: Particular requirements for drives for gates, doors and windows
- EN 61000-6-2 Electromagnetic compatibility (EMC) — Part 6-2: Generic standards – Immunity for industrial environments
- EN 61000-6-3 Electromagnetic compatibility (EMC) — Part 6-3: Generic standards — Emitted interference for residential, commercial and light-industrial environments

The relevant technical documentation has been compiled in accordance with Annex VII, part B of the Machinery Directive (2006/42/EC). We undertake to transmit, in response to a reasoned request by the market surveillance authorities, this information in electronic form within a reasonable term.

Person authorised to compile the technical documentation:
MFZ Antriebe GmbH & Co. KG - Neue Mühle 4 -
48739 Legden - Germany

Incomplete machines in accordance with the EC directive 2006/42/EC are only intended for incorporation in other machines or incomplete machines or systems or for combination with them, in order to form a machine with them in accordance with the aforementioned directive. This product must therefore not be put into service until the complete machine / system into which it is incorporated is compliant with the provisions of the aforementioned EC directives.

A change to this product that has not been approved by us results in this declaration losing its validity.

Legden, 01.01.2021

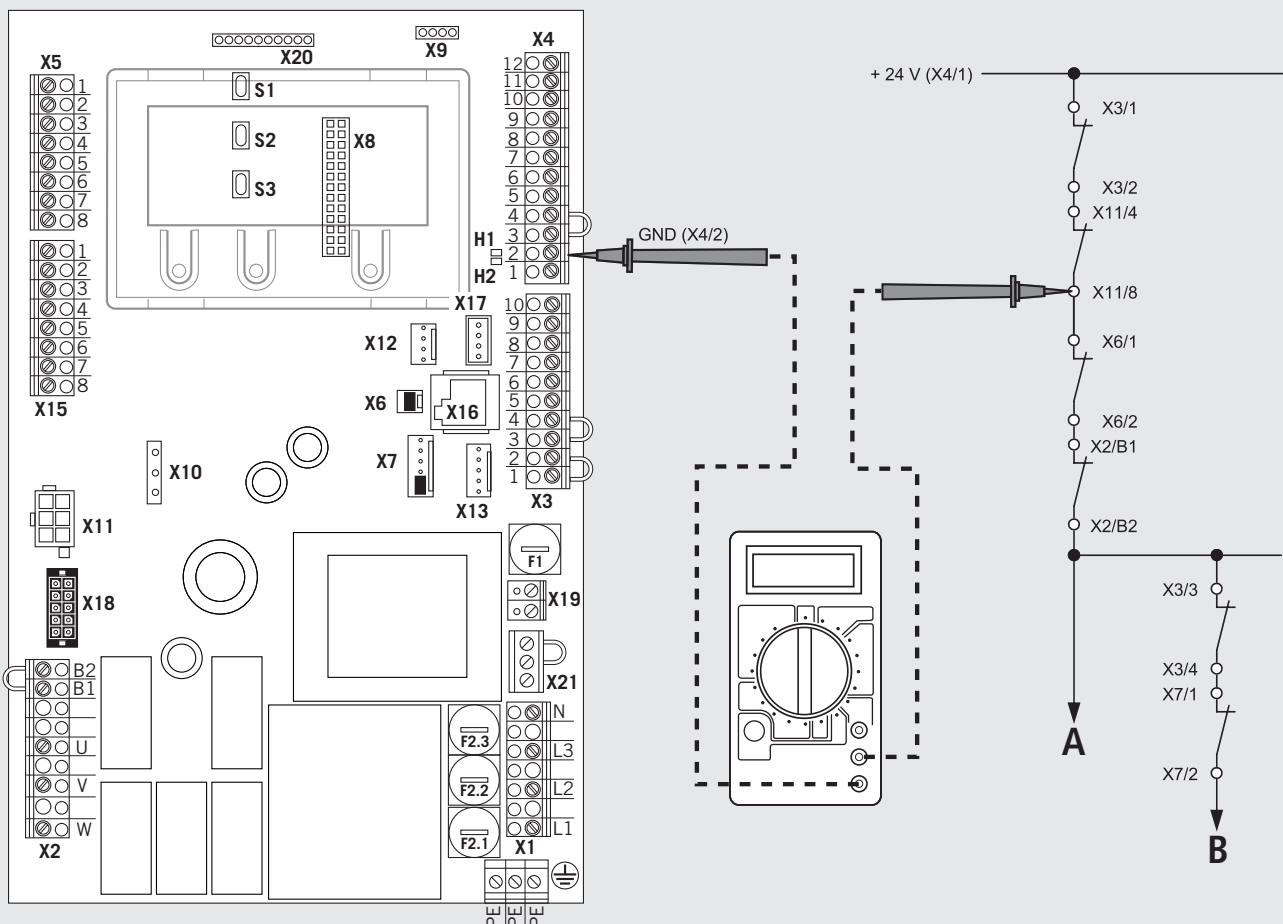


Dirk Wesseling, Management

15. Annex

15.1 Safety circuit measuring points

15.1 / 1



15.2 NOTE:

The measuring range must be set for 24 V-DC.

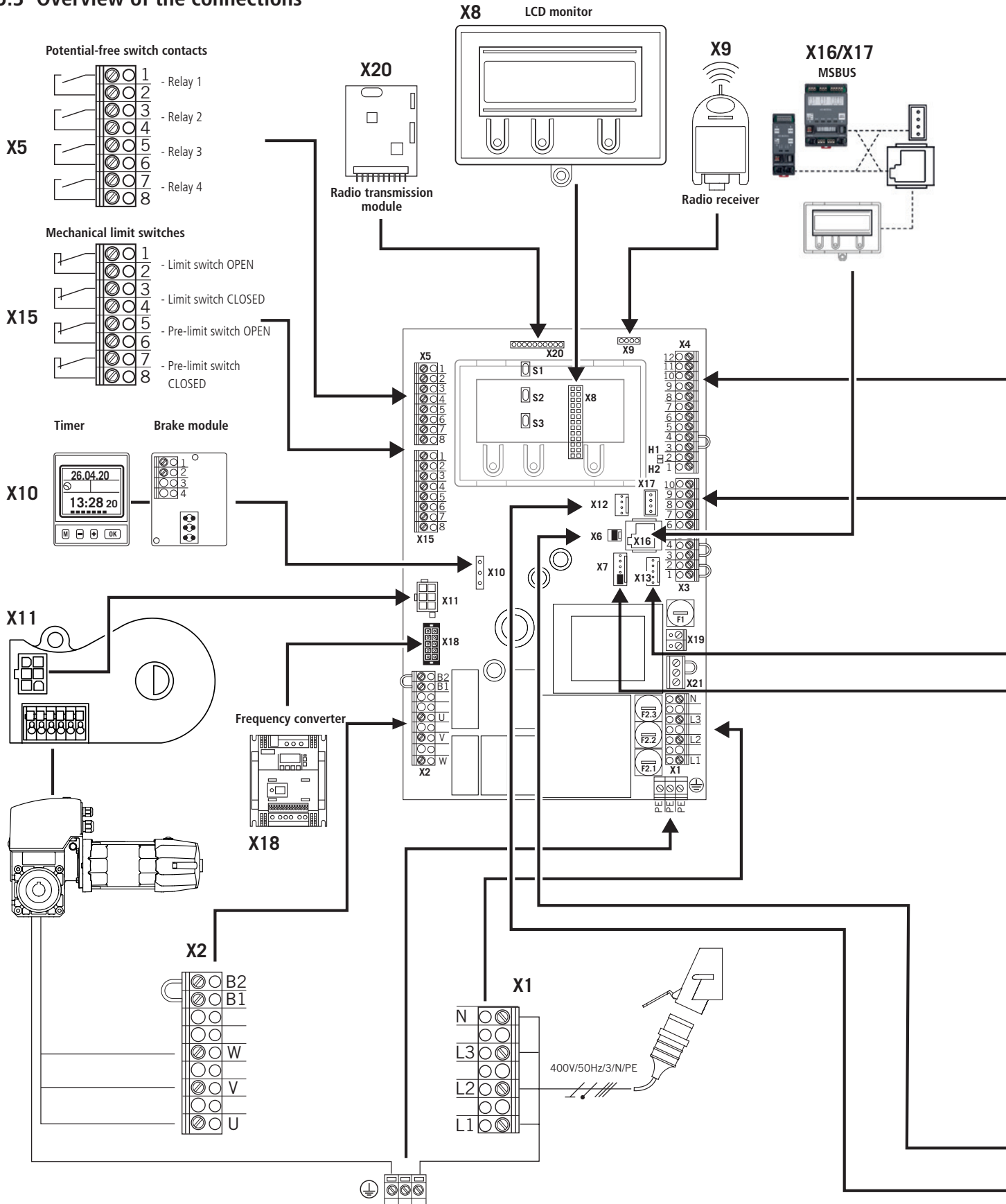
A Emergency stop

B Stop

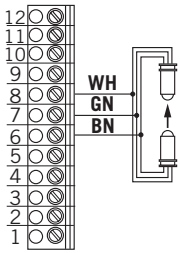
🔍 Measure at all measuring points on the diagram, to locate the interruption.

Annex

15.3 Overview of the connections

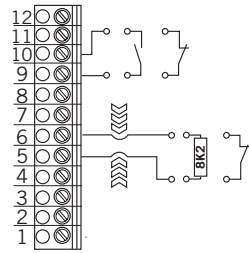


Closing edge protective device OSE

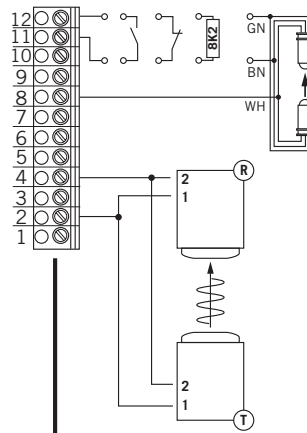


X4

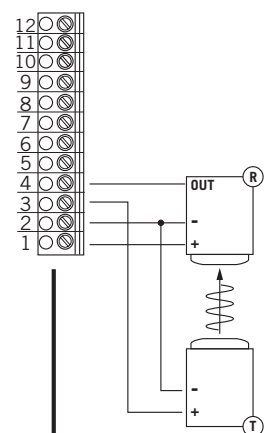
Input 1 (9 + 10)
Closing edge protective device 8.2 kΩ / DW (5+6)



Input 2 (11 + 12)
Light barrier (2 + 4)

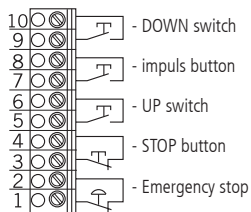


Light barrier
NC, NPN, PNP

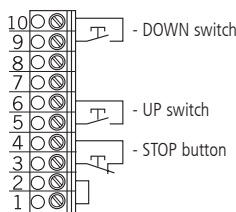


X3

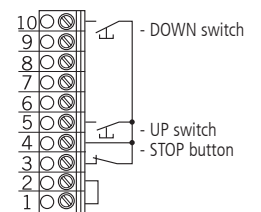
Command devices



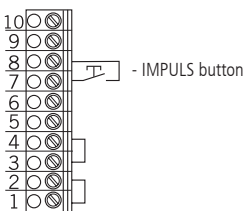
UP / STOP / DOWN switch
(6-wire solution)



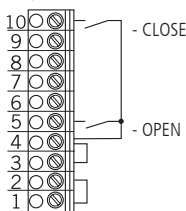
UP / STOP / DOWN switch
(4-wire solution)



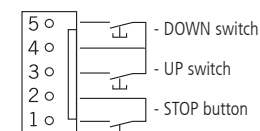
IMPULS button



Key switch

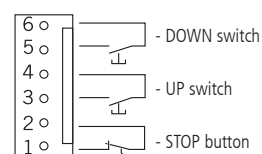


Cover keypad CS



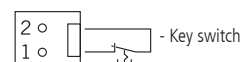
X13

Cover switch KDT



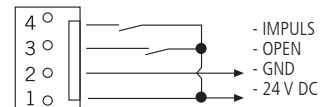
X7

ON/OFF key switch



X6

External radio receiver



X12

WH: white
GN: green
BN: brown

